

# PROLYTE B100RV TRUSS

## PROLYTE B100RV - ALLOWABLE LOADING

SPAN		UNIFORMLY DISTRIBUTED LOAD		DEFLECTION		MAXIMUM ALLOWABLE POINT LOADS										SPAN
						CENTRE POINT LOAD		DEFLECTION		SINGLE LOAD THIRD POINTS		SINGLE LOAD FOURTH POINTS		SINGLE LOAD FIFTH POINTS		
m	ft	kg/m	lbs/ft	mm	inch	kg	lbs	mm	inch	kg	lbs	kg	lbs	kg	lbs	total weight
2	6.6	6137,5	4129.7	1	0.03	12274,9	27090.8	1	0.03	6137,5	13545.4	4085,0	9015.5	3068,7	6772.7	44,0
3	9.8	4085,0	2748.6	2	0.07	12254,9	27046.6	2	0.07	6127,5	13523.3	4075,0	8993.5	3063,7	6761.7	66,0
4	13.1	3058,7	2058.1	4	0.15	12101,4	26707.9	3	0.11	6117,5	13501.3	4065,0	8971.4	3058,7	6750.6	88,0
5	16.4	2443,0	1643.8	6	0.24	9663,1	21326.6	5	0.19	6107,5	13479.2	4055,0	8949.3	3053,7	6739.6	110,0
6	19.7	2032,5	1367.6	8	0.31	8034,3	17731.7	7	0.27	6025,7	13298.8	4017,1	8865.8	3048,7	6728.6	132,0
7	23.0	1739,3	1170.3	11	0.43	6868,0	15157.6	9	0.35	5151,0	11368.2	3434,0	7578.8	2850,2	6290.4	154,0
8	26.2	1497,7	1007.7	15	0.59	5990,7	13221.5	12	0.47	4493,0	9916.1	2995,4	6610.8	2486,1	5486.9	176,0
9	29.5	1179,2	793.4	19	0.74	5306,2	11710.8	15	0.59	3979,6	8783.1	2653,1	5855.4	2202,1	4860.0	198,0
10	32.8	951,3	640.1	23	0.90	4756,6	10497.8	18	0.70	3567,4	7873.3	2378,3	5248.9	1974,0	4356.6	220,0
11	36.1	782,7	526.7	28	1.10	4305,1	9501.3	22	0.86	3228,8	7126.0	2152,5	4750.6	1786,6	3943.0	242,0
12	39.4	654,5	440.4	33	1.30	3927,1	8667.2	27	1.06	2945,4	6500.4	1963,6	4333.6	1629,8	3596.9	264,0
13	42.6	554,7	373.3	39	1.53	3605,8	7958.1	31	1.22	2704,4	5968.5	1802,9	3979.0	1496,4	3302.6	286,0
14	45.9	475,6	320.0	45	1.77	3329,0	7347.1	36	1.41	2496,7	5510.3	1664,5	3673.5	1381,5	3049.0	308,0
15	49.2	411,7	277.0	52	2.04	3087,7	6814.6	42	1.65	2315,8	5110.9	1543,9	3407.3	1281,4	2828.1	330,0
16	52.5	359,4	241.8	59	2.32	2875,4	6345.9	47	1.85	2156,5	4759.4	1437,7	3173.0	1193,3	2633.6	352,0
17	55.8	316,1	212.7	67	2.63	2686,8	5929.8	53	2.08	2015,1	4447.3	1343,4	2964.9	1115,0	2460.9	374,0
18	59.0	279,8	188.3	75	2.95	2518,1	5557.4	60	2.36	1888,6	4168.1	1259,0	2778.7	1045,0	2306.3	396,0
19	62.3	249,1	167.6	83	3.26	2366,1	5222.0	67	2.63	1774,6	3916.5	1183,0	2611.0	981,9	2167.1	418,0
20	65.6	222,8	149.9	92	3.62	2228,3	4917.8	74	2.91	1671,2	3688.4	1114,1	2458.9	924,7	2040.9	440,0
21	68.9	200,3	134.7	102	4.01	2102,7	4640.6	82	3.22	1577,0	3480.4	1051,3	2320.3	872,6	1925.8	462,0
22	72.2	180,7	121.6	112	4.40	1987,5	4386.5	89	3.50	1490,7	3289.9	993,8	2193.2	824,8	1820.4	484,0
23	75.4	163,6	110.1	122	4.80	1881,6	4152.6	98	3.85	1411,2	3114.4	940,8	2076.3	780,8	1723.3	506,0
24	78.7	148,6	100.0	133	5.23	1783,6	3936.3	106	4.17	1337,7	2952.3	891,8	1968.2	740,2	1633.6	528,0
25	82.0	135,4	91.1	144	5.66	1692,6	3735.6	116	4.56	1269,5	2801.7	846,3	1867.8	702,4	1550.3	550,0
26	85.3	123,7	83.2	156	6.14	1607,9	3548.7	125	4.92	1205,9	2661.5	804,0	1774.3	667,3	1472.7	572,0
27	88.6	113,2	76.2	168	6.61	1528,7	3373.9	135	5.31	1146,5	2530.4	764,4	1687.0	634,4	1400.2	594,0
28	91.8	103,9	69.9	181	7.12	1454,5	3210.1	145	5.70	1090,9	2407.5	727,2	1605.0	603,6	1332.2	616,0
29	95.1	95,5	64.3	194	7.63	1384,7	3056.0	155	6.10	1038,5	2292.0	692,3	1528.0	574,6	1268.2	638,0
30	98.4	87,9	59.2	208	8.18	1318,9	2910.7	166	6.53	989,1	2183.0	659,4	1455.4	547,3	1207.9	660,0
31	101.7	81,1	54.6	222	8.74	1256,6	2773.4	178	7.00	942,5	2080.0	628,3	1386.7	521,5	1151.0	682,0
32	105.0	74,9	50.4	237	9.33	1197,7	2643.3	189	7.44	898,3	1982.5	598,8	1321.6	497,0	1097.0	704,0
33	108.2	69,2	46.6	252	9.92	1141,7	2519.7	201	7.91	856,3	1889.8	570,8	1259.9	473,8	1045.7	726,0
34	111.5	64,0	43.1	267	10.51	1088,4	2402.1	214	8.42	816,3	1081.6	544,2	1201.1	451,7	996.9	748,0
35	114.8	59,3	39.9	283	11.14	1037,6	2290.0	226	8.89	778,2	1717.5	518,8	1145.0	430,6	950.3	770,0
36	118.1	54,9	37.0	299	11.77	989,0	2182.8	240	9.44	741,8	1637.1	494,5	1091.4	410,5	905.9	792,0
37	121.4	51,0	34.3	316	12.44	942,6	2080.3	253	9.96	706,9	1560.2	471,3	1040.1	391,2	863.3	814,0
38	124.6	47,3	31.8	334	13.14	898,0	1982.0	267	10.51	673,5	1486.5	449,0	991.0	372,7	822.5	836,0
39	127.9	43,9	29.5	351	13.81	855,3	1887.6	281	11.06	641,5	1415.7	427,6	943.8	354,9	783.4	858,0
40	131.2	40,7	27.4	370	14.56	814,1	1796.8	296	11.65	610,6	1347.6	407,1	898.4	337,9	745.7	880,0

1 inch = 25,4 mm | 1m = 3.28 ft | 1 lbs = 0,453 kg

- Loading figures only valid for static loads and spans with two supporting points
- Spans must be supported at each end
- If dynamic loads or wind loads are involved, or more supporting points are applied, contact a structural engineer or Prolyte
- Loading figures are based on German DIN standards; to comply with BS 7905-2 / ANSI E1.2-2006 / CWA 15902-2, the loading data must be multiplied by 0.85
- The self-weight of the trusses has already been taken into account
- For spans longer than indicated and with a different loading set-up use the KYLo programme
- For structures contact Prolyte



Mark approval certificate  
No. 2733/03  
Test report No. 2732/03  
TUV certification only valid  
for loading table above.

# PROLYTE B100RV TRUSS

## TECHNICAL SPECIFICATIONS B100RV SERIES

Type	Rectangle
Alloy	EN AW 6082 T6
Main tubes (chords)	60 x 6 mm
Braces	48 x 3 mm
Coupling system	CCS7 series

Type		B100RV	
Allowable Normal Force in Main Chord	N	63,90	kN
Allowable Normal Force in Diagonals	N	33,93	kN
Surface area Complete Truss	A	40,72	cm <sup>2</sup>
Moment of Inertia Y-axis	I <sub>y</sub>	78211,5	cm <sup>4</sup>
Moment of Inertia Z-axis	I <sub>z</sub>	23522,6	cm <sup>4</sup>
Allowable bending moment Y-axis	M <sub>y</sub>	121,41	kNm
Allowable bending moment Z-axis	M <sub>z</sub>	66,46	kNm
Allowable shear force Z-axis	Q <sub>z</sub> /V <sub>z</sub>	61,57	kN
Allowable shear force Y-axis	Q <sub>y</sub> /V <sub>y</sub>	31,08	kN
Selfweight	kg	25	kg/m

## B100RV SERIES - STANDARD AVAILABLE LENGTHS AND CODES

Meters	Feet	Code
0,25 / 1,00 m in steps of 5 mm	0.82' / 3.28' in steps of 0.2"	
1,00	3.28	B100RV•-L100
1,20	3.94	B100RV•-L120
2,00	6.56	B100RV•-L200
2,40	7.87	B100RV•-L240
3,00	9.84	B100RV•-L300

## PROLYTE B100RV CATWALK - ALLOWABLE LOADING

SPAN		UNIFORMLY DISTRIBUTED LOAD		DEFLECTION		MAXIMUM ALLOWABLE POINT LOADS										SPAN
						CENTRE POINT LOAD		DEFLECTION		SINGLE LOAD THIRD POINTS		SINGLE LOAD FOURTH POINTS		SINGLE LOAD FIFTH POINTS		
m	ft	kg/m	lbs/ft	mm	inch	kg	lbs	mm	inch	kg	lbs	kg	lbs	kg	lbs	total weight
4	13.1	1470,0	989.1	1	0.03	3181.0	7020.5	1	0.03	2385.8	5265.4	1590.5	3510.2	1320.1	2913.5	220,0
5	16.4	1007.1	677.7	2	0.07	2517.8	5556.8	1	0.03	1884.4	4167.6	1258.9	2778.4	1044.9	2306.1	250,0
6	19.7	690.2	464.4	2	0.07	2070.7	4570.0	2	0.07	1553.0	3427.5	1035.3	2285.0	859.3	1896.5	280,0
7	23.0	499,1	335.9	3	0.12	1747.0	3855.6	2	0,09	1310.3	2891.7	873.5	1927.8	725.0	1600.1	210,0
8	26.2	375,1	252.4	4	0.16	1500.5	3311.6	3	0.12	1125.4	2483.7	750.3	1655.8	622.7	1374.3	240,0
9	29.5	290,1	195.2	5	0.19	1305.4	2881.1	4	0.16	979.1	2160.8	652.7	1440.6	541.8	1195.7	270,0
10	32.8	229,3	154.3	6	0.23	1146.4	2530.1	5	0.19	859.8	1897.6	573.2	1265.1	475.8	1050.0	300,0
11	36.1	184,3	124.0	7	0.27	1013.5	2236.9	6	0.23	760.2	1677.7	506.8	1118.4	420.6	928.3	330,0
12	39.4	150,1	101.0	9	0.35	900.3	1987.0	7	0.27	675.3	1490.3	450.2	993.5	373.6	824.6	360,0
13	42.6	123,4	83.0	10	0.39	802.2	1770.5	8	0.31	601.7	1327.9	401.1	885.3	332.9	734.8	390,0
14	45.9	102,3	68.8	12	0.47	716.0	1580.2	10	0.39	537.0	1185.2	358.0	790.1	297.1	655.8	420,0
15	49.2	85,2	57.4	14	0.55	639.3	1410.9	11	0.43	479.5	1058.1	319.6	705.4	265.3	585.5	450,0
16	52.5	71,3	48.0	16	0.62	570.3	1258.5	13	0.51	427.7	943.9	285.1	629.3	236.7	522.3	480,0
17	55.8	59,7	40.2	18	0.70	507.6	1120.2	14	0.55	380.7	840.2	253.8	560.1	210.6	464.9	510,0
18	59.0	50,0	33.7	20	0.78	450.2	993.6	16	0.62	337.7	745.2	225.1	496.8	186.8	412.4	540,0
19	62.3	41,8	28.1	22	0.86	397.3	876.9	18	0.70	298.0	657.7	198.7	438.4	164.9	363.9	570,0
20	65.6	34,8	23.4	25	0.98	348.2	768.5	20	0.78	261.2	576.4	174.1	384.2	144.5	318,9	600,0

1 inch = 25,4 mm | 1m = 3.28 ft | 1 lbs = 0,453 kg

- Loading figures only valid for static loads and spans with two supporting points
- Spans must be supported at each end
- If dynamic loads or wind loads are involved, or more supporting points are applied, contact a structural engineer or Prolyte
- Loading figures are based on German DIN standards; to comply with BS 7905-2 / ANSI E1.2-2006 / CWA 15902-2, the loading data must be multiplied by 0.85
- The self-weight of the trusses has already been taken into account
- For spans longer than indicated and with a different loading set-up use the KYLo programme
- For structures contact Prolyte



Mark approval certificate  
No. 2733/03  
Test report No. 2732/03  
TÜV certification only valid  
for loading table above.

## PROLYTE CATWALK TRUSS

Photo : Jan Hoefnagel, Flashlight Rental BV, The Netherlands  
Project : Blue Man Group



The design of the Prolyte catwalk truss (B100RV-CW) is based on the B100V truss. It can be used to create mother grids or working platforms as well as proscenium or lighting bridges in a theatrical environment. The B100RV-CW truss is fitted with an extra handrail on top and a reinforced plate on the bottom side to create a walking platform.

The catwalk truss can be flown by assembling bracing bars with fixed lifting eyes to the bottom braces of the truss.

The catwalk truss is designed and manufactured in compliance with:

DIN 1055, DIN 18800, DIN 4112, DIN 4112/A1,  
DIN 4113-1, DIN 4113-1/A1, DIN 4113-2.

Allowable loading table on page 41



## PROLYTE MAMMOTH TRUSS

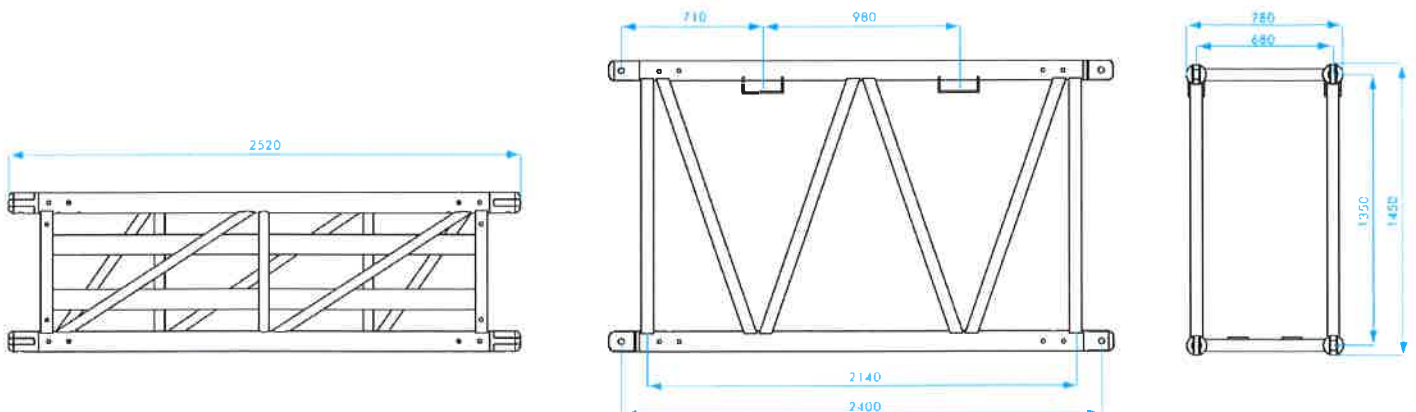


### Big, Bigger, Biggest?

The Prolyte M145RV Mammoth truss is one of the biggest trusses ever constructed from aluminium. The final design of this truss not only reflects the Prolyte philosophy of making user-friendly products, it also proves the unrivalled technological knowledge and experience Prolyte has gained over the years.

### Practise translated into design

The basic requirements for this truss are massive strength and application possibilities within a construction, like a roof system or mother grid. With its massive strength the M145RV Mammoth truss is 5 times stronger than the B100 truss, on a stretch of 30 m. you still can apply a point load of 6400kg. The truss has no internal diagonals, other trusses can be stored within the M145RV. The overall measurements are thus designed that container and truck space are efficiently used. Pick up points for forklift handling are integrated.



# PROLYTE MAMMOTH TRUSS

PROLYTE MAMMOTH TRUSS - ALLOWABLE LOADING																	
SPAN		UNIFORMLY DISTRIBUTED LOAD		DEFLECTION		MAXIMUM ALLOWABLE POINT LOADS											SPAN
						CENTRE POINT LOAD		DEFLECTION		SINGLE LOAD THIRD POINTS		SINGLE LOAD FOURTH POINTS		SINGLE LOAD FIFTH POINTS			
m	ft	kg/m	lbs/ft	mm	inch	kg	lbs	mm	inch	kg	lbs	kg	lbs	kg	lbs	total weight	
24,0	78,7	700,0	471,0	122	4.80	8400,0	18538,8	97	3.81	6300,0	13904,1	4200,0	9269,4	3486,0	7693,6	500,0	
26,4	86,6	569,8	383,4	147	5.78	7521,8	16600,7	118	4.64	5641,4	12450,5	3760,9	8300,3	3121,6	6889,3	550,0	
28,8	94,5	470,8	316,8	175	6.88	6780,0	14963,5	140	5.51	5085,0	11222,6	3390,0	7481,7	2813,7	6209,8	600,0	
31,2	102,3	393,8	265,0	206	8.11	6143,1	13557,8	165	6.49	4607,3	10168,3	3071,5	6778,9	2549,4	5626,5	650,0	
33,6	110,2	332,7	223,8	239	9.40	5588,6	12334,0	191	7.51	4191,4	9250,5	2794,3	6167,0	2319,3	5118,6	700,0	
36,0	118,1	283,3	190,6	274	10.78	5100,0	11255,7	219	8.62	3825,0	8441,8	2550,0	5627,9	2116,5	4671,1	750,0	
38,4	126,0	243,0	163,5	312	12.83	4665,0	10295,7	249	9.80	3498,8	7721,7	2332,5	5147,8	1936,0	4272,7	800,0	
40,8	133,8	209,5	141,0	352	13.85	4274,1	9433,0	282	11.10	3205,6	7074,7	2137,1	4716,5	1773,8	3914,7	850,0	
43,2	141,7	181,5	122,1	394	15.51	3920,0	8651,4	316	12.44	2940,0	6488,6	1960,0	4325,7	1626,8	3590,3	900,0	
45,6	149,6	157,8	106,1	440	17.32	3596,8	7938,2	352	13.85	2697,6	5953,7	1798,4	3969,1	1492,7	3294,4	950,0	
48,0	157,4	134,6	90,5	480	18.89	3300,0	7283,1	390	15.35	2356,5	5200,7	1650,0	3641,6	1303,9	2877,7	1000,0	
50,4	165,3	109,4	73,6	504	19.84	3025,7	6677,8	430	16.92	2008,7	4433,2	1492,8	3294,5	1111,5	2453,1	1050,0	

1 inch = 25,4 mm | 1m = 3.28 ft | 1 lbs = 0,453 kg

- Loading figures only valid for static loads and spans with two supporting points
- Spans must be supported at each end
- If dynamic loads or wind loads are involved, or more supporting points are applied, contact a structural engineer or Prolyte
- Loading figures are based on German DIN standards; to comply with BS 7905-2 / ANSI E1.2-2006 / CWA 15902-2, the loading data must be multiplied by 0.85
- The self-weight of the trusses has already been taken into account
- For spans longer than indicated and with a different loading set-up use the KYLo programme
- For structures contact Prolyte

## TECHNICAL SPECIFICATIONS MAMMOTH TRUSS

Types	RV
Alloy	EN AW 6082 T6
Main tubes (chords)	100 x 8 mm
Braces	60 x 60 x 3,5 / 50,4 mm
Coupling system	Pin/fork

Type		MAMMOTH	
Allowable Normal Force in Main Chord	N	200	kN
Allowable Normal Force in Diagonals vertical	N	63,3	kN
Allowable Normal Force in Diagonals horizontal	N	46,24	kN
Surface area Complete Truss	A	92,5	cm <sup>2</sup>
Moment of Inertia Y-axis	I <sub>y</sub>	380147,9	cm <sup>4</sup>
Moment of Inertia Z-axis	I <sub>z</sub>	97112,4	cm <sup>4</sup>
Allowable bending moment Y-axis	M <sub>y</sub>	540	kNm
Allowable bending moment Z-axis	M <sub>z</sub>	272	kNm
Allowable shear force Z-axis	Q <sub>z</sub> /V <sub>z</sub>	118,1	kN
Allowable shear force Y-axis	Q <sub>y</sub> /V <sub>y</sub>	47,6	kN
Selfweight	kg	50	kg/m

## MAMMOTH TRUSS - STANDARD AVAILABLE LENGTHS AND CODES

Meters	Feet	Code
2,40	8	M145RV-L240
4,80	16	M145RV-L480



## CIRCULAR TRUSS



In addition to straight lengths, Prolite manufactures circular trusses, curved trusses and arcs. These arched trusses are manufactured with a high degree of accuracy, ensuring a perfect fit without distortion.

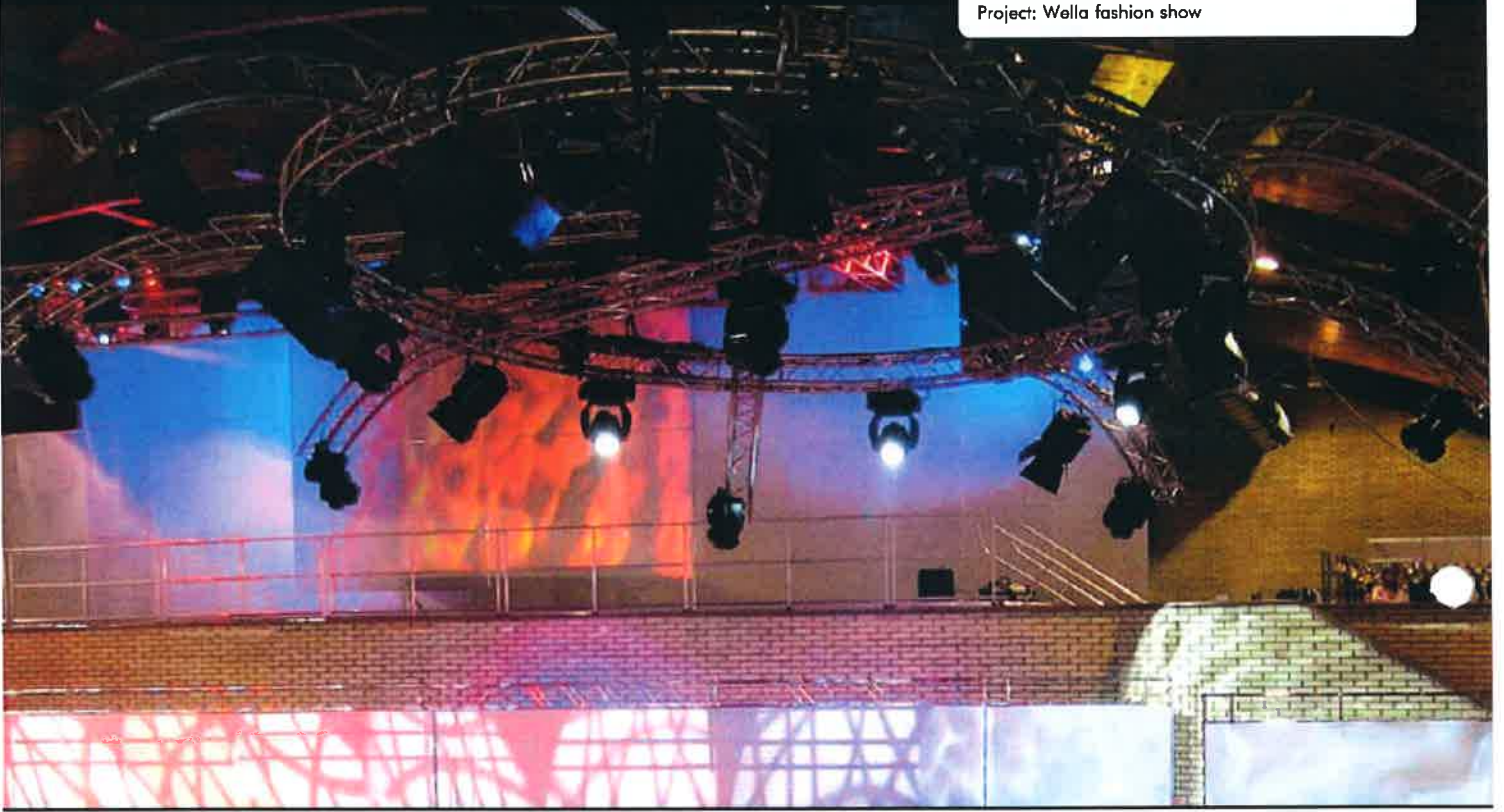
Thanks to production by means of semi-automated welding jigs, all parts produced are identical. This guarantees that every segment of a circle can be mounted at any position or be replaced by a new part without affecting the integrity or overall shape of the circle.





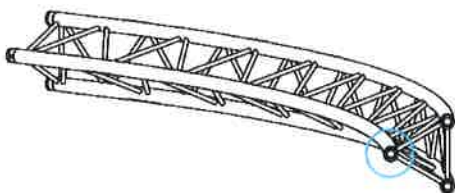
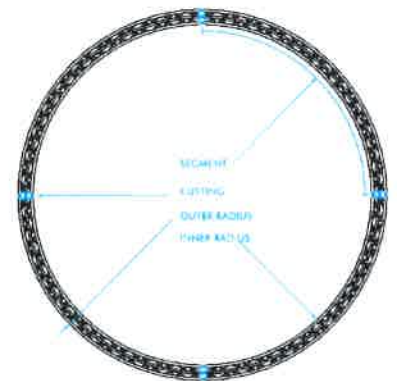
# PROLYTE CIRCULAR TRUSS

Photo: PRO 1,  
Project: Wella fashion show

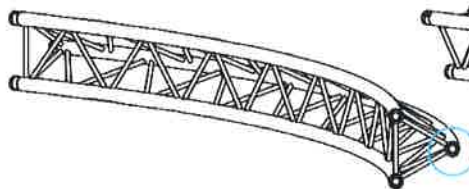


Circular or curved trusses are manufactured in different diameters or degrees. When ordering a complete circular truss, the amount of cuttings required (each segment requires one cut) must be indicated. Couplers do not have to be ordered separately, as they are included in the amount of cuttings ordered.

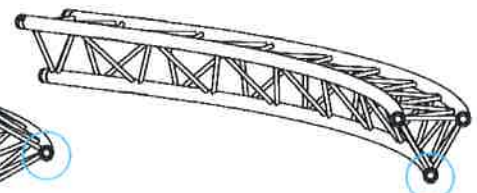
A "cutting" divides the circle into segments. Individual segments cannot be longer than 5 metres. Prolyte recommends segment lengths of between 3-4 metres. For further details in this regard, please refer to the Black Book "Technical Matters".



APEX IN



APEX OUT



APEX DOWN/UP



# PROLYTE E20 CIRCULAR TRUSS

Photo: Chritto, Germany



## PROLYTE E20D CIRCULAR TRUSS - ALLOWABLE LOADING

DIAMETER		3 SUSPENSION POINTS				4 SUSPENSION POINTS				6 SUSPENSION POINTS				8 SUSPENSION POINTS				10 SUSPENSION POINTS			
		UDL		CPL		UDL		CPL		UDL		CPL		UDL		CPL		UDL		CPL	
m	ft	kg/m	LBS/ft	kg	LBS	kg/m	LBS/ft	kg	LBS	kg/m	LBS/ft	kg	LBS	kg/m	LBS/ft	kg	LBS	kg/m	LBS/ft	kg	LBS
4,00	13.1	18	11.85	48	107	33	22.11	72	158	69	46.66	113	249	108	72.69	142	314	146	98.60	162	358
6,00	19.7	8	5.61	35	76	17	11.39	53	118	39	26.46	91	200	65	43.50	121	267	91	60.91	144	318
8,00	26.2	5	3.09	27	59	10	6.82	42	93	26	17.17	76	167	44	29.52	105	232	63	42.51	129	285
10,00	32.8	3	1.82	22	48	7	4.43	35	77	18	12.03	65	143	32	21.51	93	205	47	31.76	117	258
12,00	39.4	-	-	-	0	4	3.02	30	66	13	8.85	57	125	24	16.42	83	184	37	24.79	107	236
14,00	45.9	-	-	-	0	3	2.12	26	57	10	6.75	50	111	19	12.94	75	166	30	19.96	98	217

## PROLYTE E20V CIRCULAR TRUSS - ALLOWABLE LOADING

DIAMETER		3 SUSPENSION POINTS				4 SUSPENSION POINTS				6 SUSPENSION POINTS				8 SUSPENSION POINTS				10 SUSPENSION POINTS			
		UDL		CPL		UDL		CPL		UDL		CPL		UDL		CPL		UDL		CPL	
m	ft	kg/m	LBS/ft	kg	LBS	kg/m	LBS/ft	kg	LBS	kg/m	LBS/ft	kg	LBS	kg/m	LBS/ft	kg	LBS	kg/m	LBS/ft	kg	LBS
4,00	13.1	30	20.43	91	200	51	34.46	123	272	96	64.29	170	376	140	93.93	198	436	183	122.93	214	472
6,00	19.7	16	10.59	68	150	29	19.20	98	216	58	38.73	146	323	87	58.74	178	394	117	78.45	199	439
8,00	26.2	9	6.32	54	120	18	12.24	81	178	39	26.41	128	283	62	41.43	162	359	84	56.40	186	410
10,00	32.8	6	4.07	45	99	12	8.41	69	151	29	19.30	114	251	46	31.24	149	329	64	43.29	174	384
12,00	39.4	4	2.73	38	84	9	6.06	59	131	22	14.75	102	225	37	24.59	137	303	51	34.64	164	362
14,00	45.9	-	-	-	0	7	4.50	52	116	17	11.64	93	204	30	19.93	127	281	42	28.54	155	341

All loading figures are based on Uniformly Divided Suspension Points and a suspended load in each of the fields. In all other cases, this loading data is NOT valid. If loads are unevenly divided, instability will occur. For more details and loading figures of other diameters, please visit our website.

- The absence of diagonal braces at the top and/or bottom side of the truss means a dramatic reduction in the allowable loading; a structural report per situation is required for these models
- Loading figures are based on German DIN standards; to comply with BS 7905-2 / ANSI E1.2-2006 / CWA 15902-2, the loading data must be multiplied by 0.85



# PROLYTE X/H 30 CIRCULAR TRUSS

## PROLYTE X30D CIRCULAR TRUSS - ALLOWABLE LOADING

DIAMETER		3 SUSPENSION POINTS				4 SUSPENSION POINTS				6 SUSPENSION POINTS				8 SUSPENSION POINTS				10 SUSPENSION POINTS			
		UDL		CPL		UDL		CPL		UDL		CPL		UDL		CPL		UDL		CPL	
m	ft	kg/m	LBS/ft	kg	LBS	kg/m	LBS/ft	kg	LBS	kg/m	LBS/ft	kg	LBS	kg/m	LBS/ft	kg	LBS	kg/m	LBS/ft	kg	LBS
4,00	13.1	110	73.76	302	667	195	131.02	434	958	389	262.13	652	1440	590	397.37	798	1762	789	530.79	892	1968
6,00	19.7	55	37.30	220	486	105	70.52	331	731	227	153.00	538	1187	361	242.76	695	1534	495	333.00	806	1779
8,00	26.2	33	22.22	173	382	66	44.08	267	590	151	101.88	457	1009	249	167.90	616	1359	350	235.76	735	1623
10,00	32.8	22	14.51	142	314	45	30.04	224	494	107	72.08	374	825	185	124.52	503	1110	265	178.54	631	1394
12,00	39.4	15	10.04	121	267	32	21.21	193	425	74	49.60	309	681	133	89.34	417	921	209	140.45	524	1158
14,00	45.9	11	7.22	105	231	23	15.18	165	365	54	36.04	262	578	97	65.24	355	784	153	102.79	448	989

## PROLYTE H30D CIRCULAR TRUSS - ALLOWABLE LOADING

DIAMETER		3 SUSPENSION POINTS				4 SUSPENSION POINTS				6 SUSPENSION POINTS				8 SUSPENSION POINTS				10 SUSPENSION POINTS			
		UDL		CPL		UDL		CPL		UDL		CPL		UDL		CPL		UDL		CPL	
m	ft	kg/m	LBS/ft	kg	LBS	kg/m	LBS/ft	kg	LBS	kg/m	LBS/ft	kg	LBS	kg/m	LBS/ft	kg	LBS	kg/m	LBS/ft	kg	LBS
4,00	13.1	114	76.81	316	698	203	136.93	455	1004	408	274.59	684	1509	619	416.60	837	1848	827	556.69	935	2065
6,00	19.7	57	38.52	230	508	109	73.40	346	765	238	160.01	563	1243	378	254.25	729	1609	519	349.01	845	1866
8,00	26.2	34	22.69	181	399	68	45.64	279	617	158	106.32	478	1056	261	175.64	645	1424	367	246.91	771	1701
10,00	32.8	22	14.60	148	328	46	30.91	234	516	113	76.16	416	918	193	130.11	551	1216	278	186.82	674	1488
12,00	39.4	15	10.04	126	278	33	22.10	201	443	85	57.30	362	798	150	100.83	467	1031	219	147.61	588	1298
14,00	45.9	11	7.22	109	240	24	16.41	176	388	63	42.10	306	675	114	76.58	397	877	179	120.21	502	1107

## PROLYTE X30V CIRCULAR TRUSS - ALLOWABLE LOADING

DIAMETER		3 SUSPENSION POINTS				4 SUSPENSION POINTS				6 SUSPENSION POINTS				8 SUSPENSION POINTS				10 SUSPENSION POINTS			
		UDL		CPL		UDL		CPL		UDL		CPL		UDL		CPL		UDL		CPL	
m	ft	kg/m	LBS/ft	kg	LBS	kg/m	LBS/ft	kg	LBS	kg/m	LBS/ft	kg	LBS	kg/m	LBS/ft	kg	LBS	kg/m	LBS/ft	kg	LBS
4,00	13.1	179	120.57	547	1208	291	195.52	721	1592	521	350.60	952	2102	747	503.05	1078	2380	969	652.14	1149	2537
6,00	19.7	97	65.53	422	933	167	112.70	588	1297	320	215.57	838	1849	474	318.95	991	2187	624	420.28	1084	2392
8,00	26.2	61	41.10	343	758	110	74.15	495	1093	223	149.85	747	1649	339	227.94	916	2022	453	304.97	1025	2263
10,00	32.8	42	27.96	289	637	78	52.62	427	944	166	111.58	674	1488	259	174.06	852	1880	351	236.25	972	2146
12,00	39.4	30	20.05	248	549	58	39.23	376	829	129	86.85	614	1355	206	138.67	796	1757	283	190.78	924	2040
14,00	45.9	22	14.89	218	481	45	30.27	335	739	104	69.75	563	1242	169	113.79	746	1648	236	158.57	881	1944

## PROLYTE H30V CIRCULAR TRUSS - ALLOWABLE LOADING

DIAMETER		3 SUSPENSION POINTS				4 SUSPENSION POINTS				6 SUSPENSION POINTS				8 SUSPENSION POINTS				10 SUSPENSION POINTS			
		UDL		CPL		UDL		CPL		UDL		CPL		UDL		CPL		UDL		CPL	
m	ft	kg/m	LBS/ft	kg	LBS	kg/m	LBS/ft	kg	LBS	kg/m	LBS/ft	kg	LBS	kg/m	LBS/ft	kg	LBS	kg/m	LBS/ft	kg	LBS
4,00	13.1	187	125.98	573	1264	304	204.56	755	1667	546	367.39	998	2203	785	528.21	1130	2495	1016	684.00	1206	2661
6,00	19.7	101	68.13	441	974	175	117.59	615	1357	335	225.61	877	1937	498	334.90	1038	2292	655	440.55	1136	2508
8,00	26.2	63	42.45	358	790	115	77.12	517	1142	233	156.61	782	1726	356	239.34	960	2118	475	319.48	1074	2371
10,00	32.8	43	28.65	300	663	81	54.51	446	984	173	116.41	705	1556	272	182.77	892	1968	367	247.31	1018	2247
12,00	39.4	30	20.33	258	570	60	40.44	391	864	134	90.45	641	1415	216	145.60	832	1837	297	199.57	967	2136
14,00	45.9	22	14.91	226	499	46	31.04	348	769	108	72.49	587	1297	178	119.48	780	1722	246	165.76	921	2034

All loading figures are based on Uniformly Divided Suspension Points and a suspended load in each of the fields. In all other cases, this loading data is NOT valid. If loads are unevenly divided, instability will occur. For more details and loading figures of other diameters, please visit our website.

- The absence of diagonal braces at the top and/or bottom side of the truss means a dramatic reduction in the allowable loading; a structural report per situation is required for these models
- Loading figures are based on German DIN standards; to comply with BS 7905-2 / ANSI E1.2-2006 / CWA 15902-2, the loading data must be multiplied by 0.85

# PROLYTE H40, S36V AND S52SV CIRCULAR TRUSS

## PROLYTE H40D CIRCULAR TRUSS - ALLOWABLE LOADING

DIAMETER		3 SUSPENSION POINTS				4 SUSPENSION POINTS				6 SUSPENSION POINTS				8 SUSPENSION POINTS				10 SUSPENSION POINTS			
		UDL		CPL		UDL		CPL		UDL		CPL		UDL		CPL		UDL		CPL	
m	ft	kg/m	LBS/ft	kg	LBS	kg/m	LBS/ft	kg	LBS	kg/m	LBS/ft	kg	LBS	kg/m	LBS/ft	kg	LBS	kg/m	LBS/ft	kg	LBS
4,00	13.1	170	114.64	494	1091	289	194.30	681	1502	544	366.38	957	2112	800	538.53	1122	2477	1051	707.13	1221	2696
6,00	19.7	89	60.06	370	818	161	108.34	537	1184	327	220.03	816	1801	499	335.95	1006	2222	669	450.50	1130	2495
8,00	26.2	54	36.66	296	653	103	69.49	442	976	223	149.92	711	1570	352	236.60	912	2014	481	323.42	1052	2322
10,00	32.8	36	24.40	246	542	72	48.30	376	830	163	109.71	597	1319	265	178.29	804	1774	369	248.05	983	2171
12,00	39.4	25	17.16	210	463	50	33.92	317	699	118	79.25	493	1089	209	140.34	666	1471	295	198.44	838	1849
14,00	45.9	19	12.51	183	404	36	24.29	265	584	86	57.60	418	923	155	104.24	568	1253	243	163.49	715	1579

## PROLYTE H40V CIRCULAR TRUSS - ALLOWABLE LOADING

DIAMETER		3 SUSPENSION POINTS				4 SUSPENSION POINTS				6 SUSPENSION POINTS				8 SUSPENSION POINTS				10 SUSPENSION POINTS			
		UDL		CPL		UDL		CPL		UDL		CPL		UDL		CPL		UDL		CPL	
m	ft	kg/m	LBS/ft	kg	LBS	kg/m	LBS/ft	kg	LBS	kg/m	LBS/ft	kg	LBS	kg/m	LBS/ft	kg	LBS	kg/m	LBS/ft	kg	LBS
4,00	13.1	263	176.86	847	1871	409	275.34	1066	2354	703	473.14	1329	2954	990	666.05	1460	3223	1270	855.03	1531	3380
6,00	19.7	148	99.67	677	1494	243	163.58	900	1986	441	296.64	1202	2654	636	427.71	1369	3023	826	555.89	1465	3235
8,00	26.2	96	64.28	562	1240	164	110.32	777	1715	312	209.78	1097	2421	460	309.30	1289	2846	604	406.76	1405	3101
10,00	32.8	67	44.76	480	1059	119	79.92	683	1508	236	158.63	1008	2225	355	238.80	1217	2687	472	317.61	1349	2978
12,00	39.4	49	32.75	418	922	90	60.65	609	1344	186	125.20	932	2057	286	192.20	1153	2545	384	258.43	1297	2863
14,00	45.9	37	24.79	369	815	71	47.55	548	1211	151	101.83	866	1912	237	159.25	1095	2416	321	216.36	1249	2757

## PROLYTE S36V CIRCULAR TRUSS - ALLOWABLE LOADING

DIAMETER		3 SUSPENSION POINTS				4 SUSPENSION POINTS				6 SUSPENSION POINTS				8 SUSPENSION POINTS				10 SUSPENSION POINTS			
		UDL		CPL		UDL		CPL		UDL		CPL		UDL		CPL		UDL		CPL	
m	ft	kg/m	LBS/ft	kg	LBS	kg/m	LBS/ft	kg	LBS	kg/m	LBS/ft	kg	LBS	kg/m	LBS/ft	kg	LBS	kg/m	LBS/ft	kg	LBS
4,00	13.1	461	310.2	1458	3218	727	489.6	1864	4115	1268	853.3	2370	5232	1796	1208.7	2630	5805	2313	1556.6	2773	6121
6,00	19.7	256	172.6	1150	2538	428	287.9	1554	3430	790	531.6	2124	4688	1149	773.0	2450	5409	1499	1009.2	2641	5830
8,00	26.2	164	110.3	947	2091	286	192.6	1330	2936	555	373.8	1922	4244	827	556.9	2293	5061	1094	736.5	2521	5564
10,00	32.8	113	76.2	804	1774	206	138.5	1162	2564	418	281.2	1755	3875	637	428.4	2154	4754	825	573.6	2410	5321
12,00	39.4	82	55.4	697	1539	155	104.5	1030	2273	328	220.9	1614	3563	511	343.7	2030	4481	692	465.6	2309	5097
14,00	45.9	62	41.7	614	1356	121	81.5	923	2038	266	178.9	1437	3172	422	283.8	1919	4237	578	388.9	2216	4891

## PROLYTE S52SV CIRCULAR TRUSS - ALLOWABLE LOADING

DIAMETER		3 SUSPENSION POINTS				4 SUSPENSION POINTS				6 SUSPENSION POINTS				8 SUSPENSION POINTS				10 SUSPENSION POINTS			
		UDL		CPL		UDL		CPL		UDL		CPL		UDL		CPL		UDL		CPL	
m	ft	kg/m	LBS/ft	kg	LBS	kg/m	LBS/ft	kg	LBS	kg/m	LBS/ft	kg	LBS	kg/m	LBS/ft	kg	LBS	kg/m	LBS/ft	kg	LBS
4,00	13.1	653	439.5	2208	4874	983	661.6	2666	5885	1635	1100.6	3170	6998	2271	1528.2	3405	7515	2895	1948.3	3528	7787
6,00	19.7	380	255.8	1822	4023	599	403.0	2320	5121	1041	700.3	2931	6471	1472	990.5	3243	7158	1894	1274.7	3413	7534
8,00	26.2	252	169.5	1549	3419	413	277.7	2051	4528	746	502.0	2725	6016	1074	722.7	3095	6831	1394	938.4	3305	7297
10,00	32.8	179	120.8	1344	2968	305	205.0	1836	4054	571	384.4	2545	5618	836	562.6	2959	6532	1095	737.1	3204	7073
12,00	39.4	134	90.3	1186	2618	235	158.3	1661	3667	456	306.9	2386	5268	678	456.5	2834	6257	896	603.2	3108	6862
14,00	45.9	104	69.7	1060	2339	187	126.0	1473	3251	375	252.4	2246	4957	566	381.2	2719	6003	754	507.8	3018	6662

All loading figures are based on Uniformly Divided Suspension Points and a suspended load in each of the fields. In all other cases, this loading data is NOT valid. If loads are unevenly divided, instability will occur. For more details and loading figures of other diameters, please visit our website.

- The absence of diagonal braces at the top and/or bottom side of the truss means a dramatic reduction in the allowable loading; a structural report per situation is required for these models
- Loading figures are based on German DIN standards; to comply with BS 7905-2 / ANSI E1.2-2006 / CWA 15902-2, the loading data must be multiplied by 0.85





## CANTILEVER LOAD



Photo: Event Structures, UK

Cantilever loads are a common phenomenon in daily practice. It is sometimes hard to predict what will actually happen with regard to loading and the resulting forces in a cantilever span.

As an additional service, we have therefore compiled the loading tables for cantilever loads for all our truss types. With the help of these tables, you will be able to apply cantilever loads in a safe and secure way.

Please be sure to read and understand these loading tables before bringing such loads into effect.



# CANTILEVER LOAD

**CANTILEVER LOAD E20D**

$l_k$ (m)	P (kg)	q (kg/m)
0,5	156	312
1,0	98	156
1,5	70	80
2,0	52	48
2,5	41	31
3,0	33	22
3,5	28	16
4,0	24	12

**CANTILEVER LOAD E20V**

$l_k$ (m)	P (kg)	q (kg/m)
0,5	180	360
1,0	169	180
1,5	127	120
2,0	101	83
2,5	83	56
3,0	71	41
3,5	61	31
4,0	53	24

**CANTILEVER LOAD X30D**

$l_k$ (m)	P (kg)	q (kg/m)
0,5	642	1766
1,0	393	639
1,5	282	322
2,0	219	193
2,5	178	128
3,0	147	91
3,5	124	68
4,0	107	52

**CANTILEVER LOAD X30V**

$l_k$ (m)	P (kg)	q (kg/m)
0,5	701	1985
1,0	437	990
1,5	316	619
2,0	247	386
2,5	201	263
3,0	169	190
3,5	144	144
4,0	126	112

**CANTILEVER LOAD H30D**

$l_k$ (m)	P (kg)	q (kg/m)
0,5	849	1765
1,0	527	846
1,5	381	430
2,0	297	260
2,5	242	173
3,0	203	123
3,5	172	92
4,0	148	70

**CANTILEVER LOAD H30V**

$l_k$ (m)	P (kg)	q (kg/m)
0,5	992	1984
1,0	989	989
1,5	781	657
2,0	626	491
2,5	521	351
3,0	446	256
3,5	388	194
4,0	343	152

**CANTILEVER LOAD H40D**

$l_k$ (m)	P (kg)	q (kg/m)
0,5	1035	2271
1,0	680	1031
1,5	505	543
2,0	400	336
2,5	330	228
3,0	281	164
3,5	243	124
4,0	214	96

**CANTILEVER LOAD H40V**

$l_k$ (m)	P (kg)	q (kg/m)
0,5	1277	2553
1,0	1273	1273
1,5	995	846
2,0	815	632
2,5	688	442
3,0	595	326
3,5	523	251
4,0	465	198

# CANTILEVER LOAD

## CANTILEVER LOAD S36R

l <sub>k</sub> (m)	P (kg)	q (kg/m)
0,5	1702	4021
1,0	1298	1695
1,5	1047	974
2,0	875	641
2,5	750	456
3,0	655	341
3,5	580	265
4,0	519	211

## CANTILEVER LOAD S36V

l <sub>k</sub> (m)	P (kg)	q (kg/m)
0,5	1702	4019
1,0	1297	1693
1,5	1046	973
2,0	874	640
2,5	749	454
3,0	653	340
3,5	577	263
4,0	516	209

## CANTILEVER LOAD B100RV

l <sub>k</sub> (m)	P (kg)	q (kg/m)
1,0	3773	4290
1,5	3356	2666
2,0	3020	1872
2,5	2743	1406
3,0	2511	1104
3,5	2313	893
4,0	2142	740
4,5	1994	624
5,0	1863	534
5,5	1746	462
6,0	1642	403
6,5	1548	355
7,0	1463	315
7,5	1386	282
8,0	1315	253
8,5	1250	228

## CANTILEVER LOAD S52F

l <sub>k</sub> (m)	P (kg)	q (kg/m)
0,5	995	2929
1,0	833	1319
1,5	716	999
2,0	626	685
2,5	556	505
3,0	499	389
3,5	452	309
4,0	412	252
4,5	378	209
5,0	349	176

## CANTILEVER LOAD S52V AND S52SV

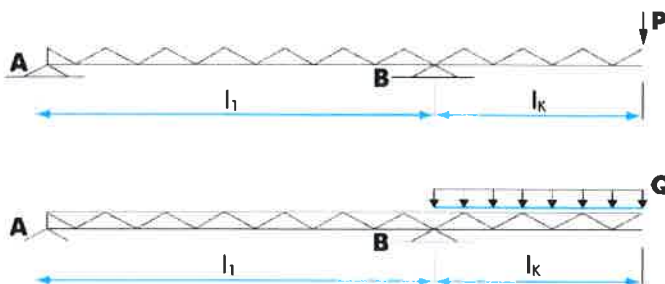
l <sub>k</sub> (m)	P (kg)	q (kg/m)
0,5	1917	4303
1,0	1565	1905
1,5	1321	1138
2,0	1140	771
2,5	1001	562
3,0	890	429
3,5	800	338
4,0	724	274
4,5	660	226
5,0	605	189

## CANTILEVER LOAD S66 SERIES

l <sub>k</sub> (m)	P (kg)	q (kg/m)
0,5	2019	4427
1,0	1707	2006
1,5	1476	1221
2,0	1298	841
2,5	1157	621
3,0	1041	479
3,5	945	382
4,0	863	312
4,5	793	259
5,0	732	219
5,5	678	187
6,0	630	161

## CANTILEVER LOAD S100F

l <sub>k</sub> (m)	P (kg)	q (kg/m)
1,0	1040	1103
1,5	976	707
2,0	918	511
2,5	865	393
3,0	816	316
3,5	771	261
4,0	730	220
4,5	692	188
5,0	656	163
5,5	623	143
6,0	591	126



Loading figures only valid for static loads and spans with two supporting points.

## LOADING

single load ballast at point A	$(P \times l_k / l_1) \times 1,5$
distributed load over length l <sub>k</sub>	$\left( \frac{Q \times l_k}{2 \times l_1} \right) \times 1,5$

P = kg or N  
l = mm or m  
Q = total UDL

Point A should have enough ballast weight to avoid the risk of uplifting caused by the cantilever weight P/q.





## **13. PROYECTORES DE RECORTE**

- **ETC SOURCE FOUR 25º 50º ZOOM**

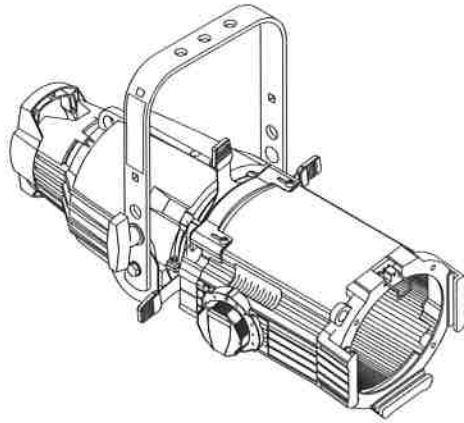






100V 115/120V 230/240V

Ellipsoidal Series



SPECIFICATIONS

PHYSICAL

- Rugged, die cast and extruded aluminium construction
- Patented one-handed focus mechanism with positive lock
- Rotating shutter assembly ±25°
- 20 gauge stainless steel shutters in a tri-plane assembly
- Lens tube door provides easy access for lens cleaning
- Scale markings for field angle and focus settings
- Thermally insulated rear handle
- High impact, thermally insulated knobs and shutter handles
- Integral die cast color frame holder with two accessory slots, and a top mounted, color frame retainer
- Steel yoke with two mounting positions
- Positive locking double-clutch yoke
- Slot for glass or stainless steel patterns
- Wide accessory slot with sliding cover for motorized pattern devices or optional iris
- UL and cUL Listed

ELECTRICAL

- 115-240V, 50/60Hz
- High temperature 3-conductor 36" leads in a glass fiber outer sleeve
- Supports ETC Dimmer Doubling™ technology

LAMP

- 750W Maximum
- HPL – compact tungsten filament contained in a krypton/xenon filled quartz envelope (see table for suitable lamp types)
- Patented filament geometry makes for extremely efficient light collection and transmission
- Integral die cast aluminium heat sink lamp base

SPECIFICATIONS

OPTICAL

- Re-optimized optical system for improved photometric performance and field uniformity
- Two bi-convex lenses
- Faceted borosilicate reflector with dichroic cold mirror coating removes greater than 90% infrared radiation (heat) and reflects greater than 95% of visible light
- Reflector secured with anti-vibration shock mounts
- Lenses have anti-reflective coatings
- Lenses secured with anti-vibration shock mounts
- Low gate and beam temperature, shutters will not warp or distort
- Tool free, positive locking X, Y and Z lamp centering adjustments, unaffected by relamping
- 15°-30° version is available

ORDERING INFORMATION

Source Four Zoom

MODEL	DESCRIPTION
42550	25°-50° Source Four Zoom ellipsoidal (black)

ETC Source Four Zooms are supplied with color frame, C-clamp and 36" (90cm) leads as standard

Connector Designation

Use Suffixes below to specify Factory-Fitted Connector type.

MODEL	DESCRIPTION
A	Parallel-blade U-ground connector
B	Two-pin and ground, 20 amp connector
C	Grounded, 20 amp, twistlock connector
M	Dimmer Doubling connector (NEMA L515P)

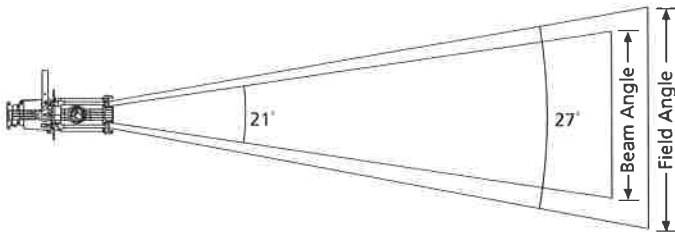
See page 5 for Source Four Accessories





PHOTOMETRICS

Photometric data below is measured with an HPL 750W/115V 300 hr lamp. To convert data when using any other HPL lamp, use the lumen or candela multiplying factors (Lm MF or Cd MF) for that specific lamp. These multiplying factors are listed in the Lamps table in this datasheet. For lumen data, multiply by the Lm MF. For candela or footcandle data, multiply by the Cd MF.



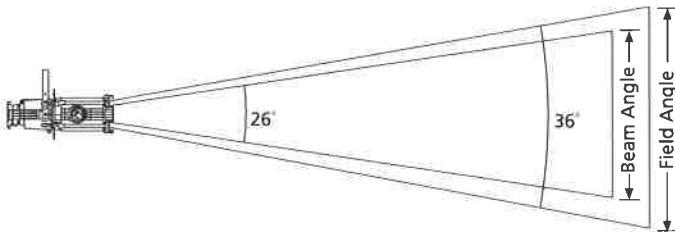
<b>Throw Distance (d)</b>	15'	30'	45'	55'
	4.6m	9.1m	13.7m	16.8m
<b>Field Diameter</b>	7.3'	14.6'	21.9'	26.8'
	2.2m	4.5m	6.7m	8.2m
<b>Illuminance (fc)</b>	670	167	74	50
<b>Illuminance (lux)</b>	7,212	1,803	801	536

Source Four 25°-50° Zoom set at 25°(cosine)

Degree	Candela	Field Lumens	Beam Lumens	Efficiency	Lumens per watt
25°	150,745	15,035	11,165	68.7%	20.0

Metric Conversions: For Meters multiply feet by .3048  
For Lux multiply footcandles by 10.76

For Field diameter at any distance, multiply distance by 0.49  
For Beam diameter at any distance, multiply distance by 0.37



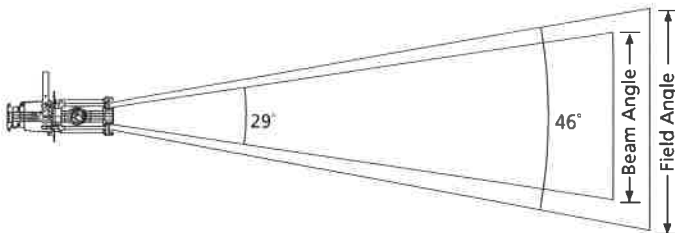
<b>Throw Distance (d)</b>	10'	20'	30'	45'
	3.0m	6.1m	9.1m	13.7m
<b>Field Diameter</b>	6.5'	12.9'	19.4'	29.1'
	2.0m	3.9m	5.9m	8.9m
<b>Illuminance (fc)</b>	953	238	106	47
<b>Illuminance (lux)</b>	10,258	2,565	1140	507

Source Four 25°-50° Zoom set at 36°(cosine)

Degree	Candela	Field Lumens	Beam Lumens	Efficiency	Lumens per watt
36°	95,330	15,300	10,415	69.9%	20.4

Metric Conversions: For Meters multiply feet by .3048  
For Lux multiply footcandles by 10.76

For Field diameter at any distance, multiply distance by 0.65  
For Beam diameter at any distance, multiply distance by 0.45



<b>Throw Distance (d)</b>	10'	20'	30'	35'
	3.0m	6.1m	9.1m	10.7m
<b>Field Diameter</b>	8.4'	16.9'	25.3'	29.6'
	2.6m	5.2m	7.7m	9.0m
<b>Illuminance (fc)</b>	635	159	71	52
<b>Illuminance (lux)</b>	6,833	1,708	759	558

Source Four 25°-50° Zoom set at 50°(cosine)

Degree	Candela	Field Lumens	Beam Lumens	Efficiency	Lumens per watt
50°	63,480	14,780	8,600	67.5%	19.7

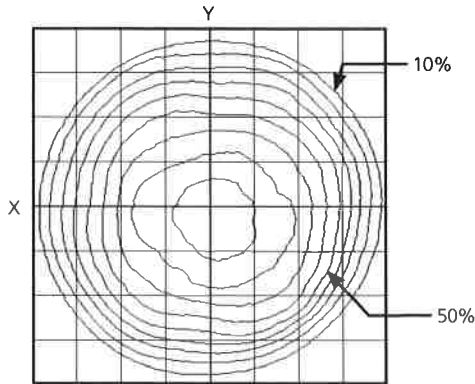
Metric Conversions: For Meters multiply feet by .3048  
For Lux multiply footcandles by 10.76

For Field diameter at any distance, multiply distance by 0.85  
For Beam diameter at any distance, multiply distance by 0.52

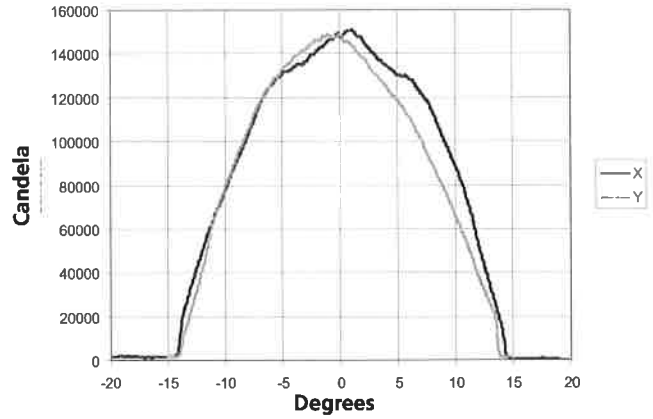
PHOTOMETRICS

Source Four 25°-50° Zoom set at 25°(cosine)

Iso-Illuminance Diagram

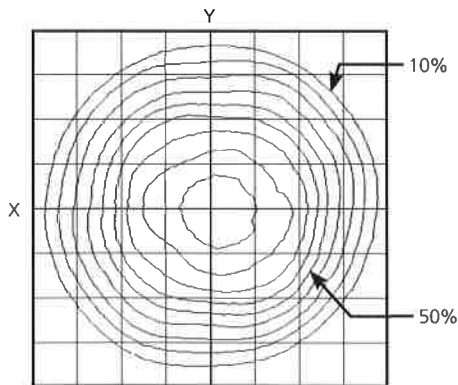


Cosine Candela Plot

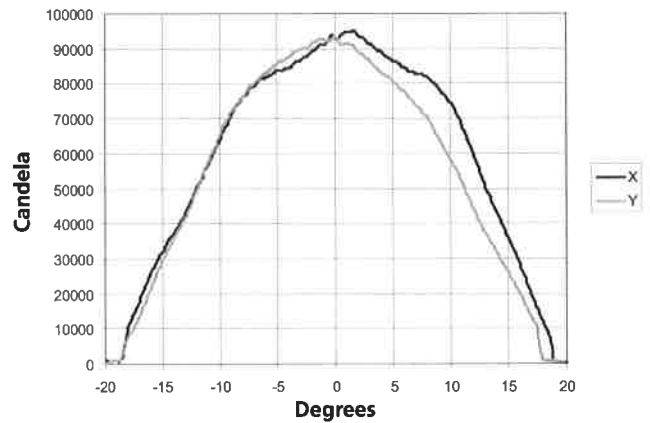


Source Four 25°-50° Zoom set at 36°(cosine)

Iso-Illuminance Diagram

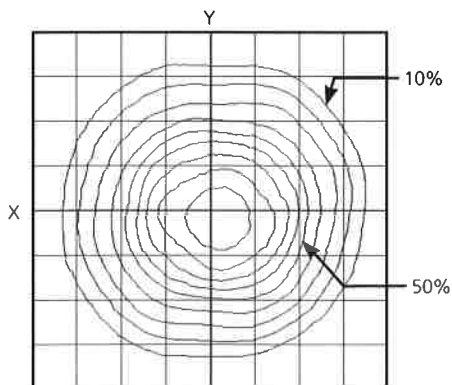


Cosine Candela Plot

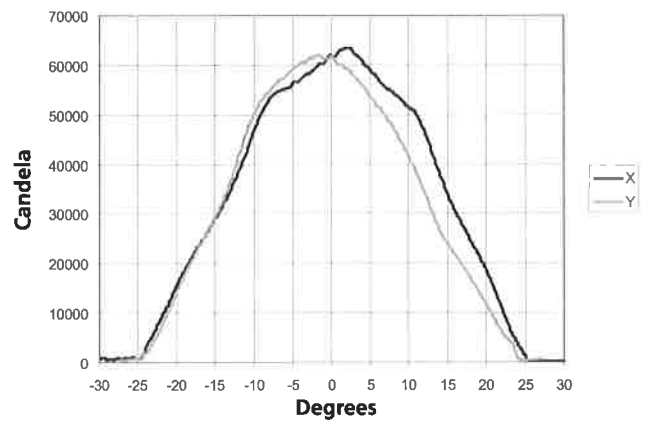


Source Four 25°-50° Zoom set at 50°(cosine)

Iso-Illuminance Diagram



Cosine Candela Plot



Complete IES photometry data files (LM-63-02 format) may be downloaded from the ETC website.

Go to <http://www.etcconnect.com/downloads.asp>

## Ellipsoidal Series

## L A M P S

To determine Candela (Cd) or Lumens (Lm) for any other HPL lamp, multiply the Candela or Lumen value by the appropriate multiplying factor (CdMF or LmMF) shown for that lamp in the table below.

ETC Part #	Lamp Code	Watts	Volts	Initial Lumens	Color Temp. K	Average Rated Life	25° Cd MF	25° Lm MF	36° Cd MF	36° Lm MF	50° Cd MF	50° Lm MF
RT116	HPL 750/115**	750	115	21,900	3,250	300	1.00	1.00	1.00	1.00	1.00	1.00
RT196	HPL 750/115X	750	115	16,400	3,050	1,500	.64	.74	.64	.74	.64	.74
RT113	HPL 575/115**	575	115	16,520	3,250	300	.76	.74	.74	.76	.81	.81
RT114	HPL 575/115X	575	115	12,360	3,050	2,000	.56	.56	.56	.56	.56	.56
RT142	HPL 375/115	375	115	10,540	3,250	300	.64	.47	.62	.49	.68	.52
RT143	HPL 375/115X	375	115	8,500	3,050	1,000	.44	.36	.43	.37	.47	.39
N/A	HPL 750/120	750	120	21,900	3,250	300	1.00	1.00	1.00	1.00	1.00	1.00
N/A	HPL 750/120X	750	120	16,400	3,050	1,500	.64	.74	.64	.74	.64	.74
RT115	HPL 575/120	575	120	16,520	3,250	300	.76	.74	.74	.76	.81	.81
RT171	HPL 575/120X	575	120	12,360	3,050	2,000	.56	.56	.56	.56	.56	.56
RT112	HPL 550/77*	550	77	16,170	3,250	300	.78	.73	.76	.75	.83	.80
RT117	HPL 550/77X*	550	77	12,160	3,050	2,000	.59	.56	.59	.56	.59	.56
RT160	HPL 750/230**	750	230	19,750	3,200	300	.82	.84	.83	.83	.76	.81
N/A	HPL 750/230X	750	230	15,600	3,050	1,500	.51	.66	.52	.66	.47	.64
RT129	HPL 575/230**	575	230	14,900	3,200	400	.66	.63	.67	.62	.67	.67
RT138	HPL 575/230X	575	230	11,780	3,050	1,500	.49	.50	.50	.50	.46	.49
RT154	HPL 375/230X	375	230	7,800	3,050	1,000	.36	.33	.37	.32	.37	.35
N/A	HPL 750/240	750	240	19,750	3,200	300	.82	.84	.83	.83	.76	.81
N/A	HPL 750/240X	750	240	15,600	3,050	1,500	.51	.66	.52	.66	.47	.64
RT130	HPL 575/240	575	240	14,900	3,200	400	.63	.63	.63	.62	.64	.67
RT139	HPL 575/240X	575	240	11,780	3,050	1,500	.46	.50	.47	.50	.43	.49
RT155	HPL 375/240X	375	240	7,800	3,050	1,000	.36	.33	.37	.32	.37	.35

Source Four Zoom is rated for 750W maximum.

\*77 Volt HPL lamps are for use with ETC Dimmer Doubling technology only.

\*\*Photometric data was prepared using a production fixture and the Prometric CCD measurement system. Fixture adjusted for cosine distribution and tested with calibrated lamp at rated voltage. All data normalized to nominal lamp lumens in accordance with IES LM-73-04. Testing performed at ETC West, Hollywood, CA. All other multiplying factors extrapolated from primary test data.

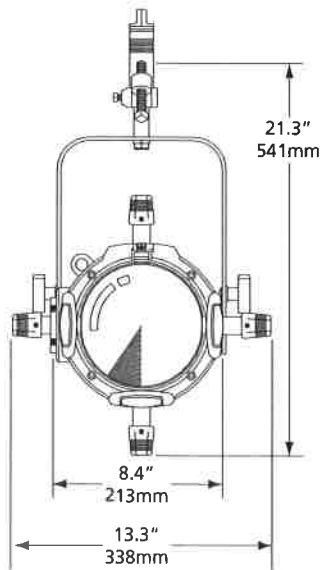
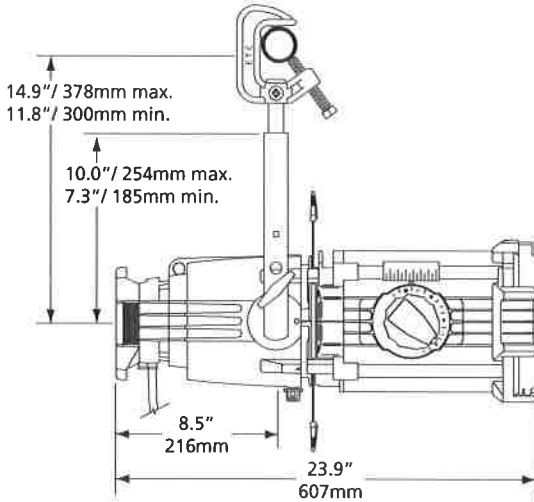
For links to photometry file downloads (IES LM-63-02 format) go to [www.etconnect.com](http://www.etconnect.com).

HPL Specified Tolerances: Watts +/- 5%, Lumens +/-7%, Average life +/-10%, Color Temperature +/- 50K

"N/A" lamps are not available for purchase from ETC. Contact your Dealer for purchase.



PHYSICAL



Source Four Zoom Weights\*

MODEL	WEIGHT		SHIPPING WEIGHT	
	lbs	kgs	lbs	kgs
42550	17	7.6	25	12.7

\*Includes 2.3 lbs for C-clamp

ORDERING INFORMATION

Continued from front page...

Source Four Zoom Accessories

MODEL	DESCRIPTION
407CF	Color Frame (included)
400CC	C-clamp (included)
400SC	Safety Cable
400PH-A	Pattern holder (A size)
400PH-B	Pattern holder (B size)
400PH-G	Glass pattern holder
400BY	Balanced yoke assembly kit
400RS	Drop-in Iris
400PTH3	Top Hat (3" tube)
400PTH6	Top Hat (6" tube)
400PHH	Half Hat
400PGE3	Gel Extender (3" tube)
400PGE6	Gel Extender (6" tube)

Note: Available in black only

Source Four products are protected by one or more of the following patents:

U.S.	USRE36,3316, US5,345,371, US6,092,914 and US5,775,799
U.K.	GB0592589, GB0673488, 99930527.9*
Germany	DE0592589, GB0673488, 99930527.9*
Japan	JP2,501,772

\* European patent application number



**Corporate Headquarters** • 3031 Pleasant View Rd, PO Box 620979, Middleton WI 53562 0979 USA • Tel +1 608 831 4116 • Fax +1 608 836 1736

**London, UK** • Unit 26-28, Victoria Industrial Estate, Victoria Road, London W3 6JU, UK • Tel +44 (0)20 8896 1000 • Fax +44 (0)20 8896 2000

**Rome, IT** • Via Pieve Torina, 48, 00156 Rome, Italy • Tel +39 (06) 32 111 683 • Fax +44 (0)20 8752 8486

**Holzkirchen, DE** • Ohmstrasse 3, 83607 Holzkirchen, Germany • Tel +49 (80 24) 47 00-0 • Fax +49 (80 24) 47 00-3 00

**Hong Kong** • Room 1801, 18/F, Tower 1 Phase 1, Enterprise Square, 9 Sheung Yuet Road, Kowloon Bay, Kowloon, Hong Kong • Tel +852 2799 1220 • Fax +852 2799 9325

**Web** • [www.etconnect.com](http://www.etconnect.com) • Copyright©2010 ETC. All Rights Reserved. All product information and specifications subject to change. 7060L1029 Rev. E Printed in USA 12/10