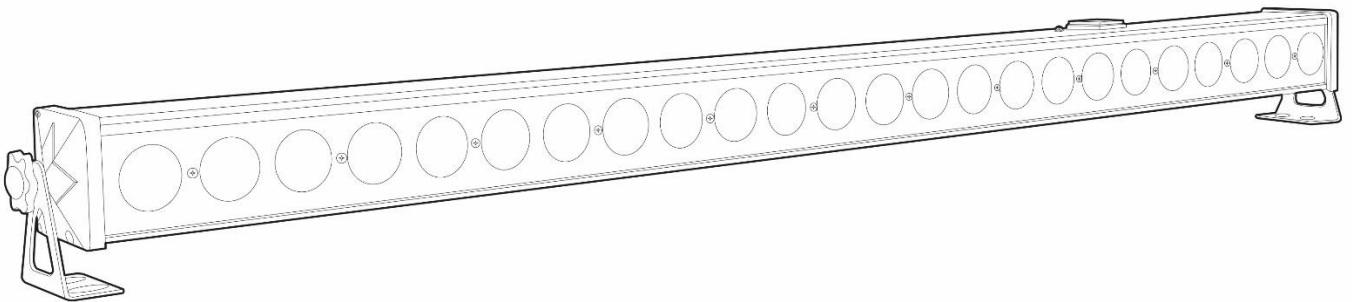


MBAR RGB 4 72

User Manual – Version 1.0



SAFETY INSTRUCTIONS

1. Read the instructions of this manual.
2. Keep these instructions in a safe place.
3. Heed and follow all warnings and instructions.
4. Please, respect your country safety regulations.
5. Don't use this device close to the water or high humidity places. Clean only with dry cloth.
6. Don't install near any heat sources such as radiators, heat registers, stoves, or other apparatus (including amplifiers) that produce heat. Make certain that the equipment is always installed so that is cooled and can't overheat.
7. Don't block any ventilation openings. Install in accordance with the manufacturer's instructions.
8. Protect the power cord from being walked on or pinched, particularly at plugs, convenience receptacles, and the point where they exit from the apparatus.
9. Only use attachments/accessories specified by **MARK PRO**.
10. Unplug this device during lightning storms or when unused for long periods of time.
11. The technical service is required when the device has been damaged in any way, such as power supply cord or plug is damaged, liquid has been spilled or objects have fallen into the device, doesn't operate normally or has been dropped.
12. To completely disconnect this apparatus from the AC mains, disconnect the power supply cord plug from the AC receptacle.
13. The mains plug of the power supply cord shall remain readily operable.
14. **WARNING** – to reduce the risk of fire or electric shock, don't expose this device to rain or humidity.
15. Don't expose this equipment to dripping or splashing and ensure that no objects filled with liquids, such as vases, are placed on the equipment.
16. For rigging installation, please, follow the recommendations included in this user manual.

OVERVIEW

MBAR RGB 4 72 is a lighting bar which includes 24x 3W RGB (3 in 1) LEDs. These brilliant LEDs allow to obtain a rich colour spectrum mixing the red, green and blue colours.

The configuration interface has a display with all the information and buttons to navigate through menus, selecting parameters such as: manual level of each colour, strobe or inner effects.

The device includes several DMX modes (5, 8, 14, 26 & 50 channels) with individual colour dimming, built-in effects, and strobe function.

Technical Data:

| | |
|--------------------|---|
| Power Supply | AC 100-240 V 50/60 Hz |
| Light source | 24x 3W RGB (3 in 1) LEDs. |
| Dimmer | 0-100 Linear Adjustment |
| DMX Channels | 5, 8, 14, 26 & 50 channels |
| Mode | DMX 512 /Auto/Manual/Audio/Master-Slave |
| Input connections | 3 pin XLR |
| Output connections | 3 pin XLR |
| Dimensions (WxHxD) | 1050 x 60 x 60 mm |
| Weight | 2.75 Kg |

Features:

- Lighting projector that includes 24x 3W RGB (3 in 1) LEDs.
- Display and interface for setting functions.
- Strobe function.
- Double wings for fixation

INSTALLATION

This product is only suitable for professional use. This device should be kept dry to avoid moisture, overheating or dusty environment. Ensure that the unit does not come into contact with water or any other liquid.

MBAR RGB 4 72 can be placed in a stable surface or stand but the common operating mode is rigging it in a truss system. Please, check and follow the next recommendations for safe use of this device:

- The truss system must be built in a way that it can hold 10 times the weight of all rigging elements for 1 hour without any harming deformation.
- The fixation system (clamps or hangs) must be able to hold 10 times the weight of the device.
- The device must always be secured with a safety attachment, e.g. steel cable.
- The operator must check that the installation meets the safety standards and the device installation is approved by a skilled person.

DMX Connection.

The DMX cable must use the professional shielded twisted pair cable. Standard loudspeaker cable is not reliable to control the long-range data. 24AWG cable is suitable for up to 300 meters long-distance signal transmission; for longer distances, a DMX 512 signal amplifier should be used.

Don't overload the connection. One continuous connection can only support up to **30 devices**. It is advisable to use a DMX splitter in order to distribute the signal without losing its integrity.

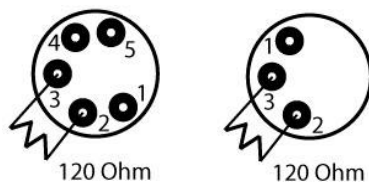
Connect the DMX512 input terminal to the controller. After that, connect the output terminal to the next device. Repeat this step with all fixtures in the chain. To prevent system errors, the last device in a DMX chain needs to be equipped with a terminating resistor (120 ohm, 1/4 Watt).

Pin occupation

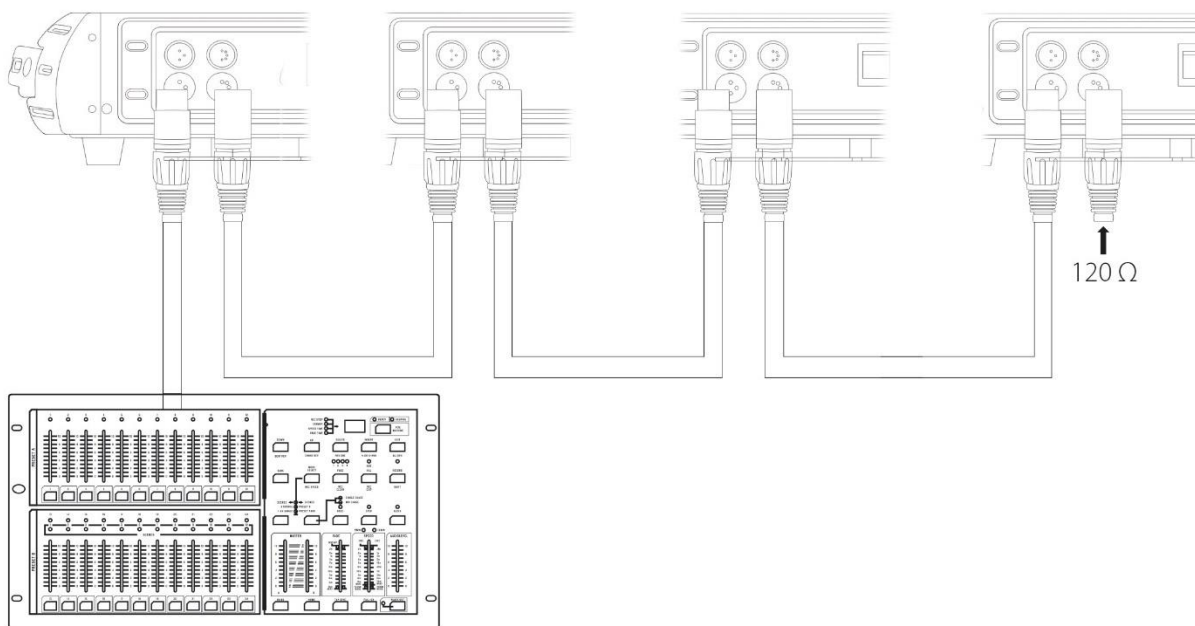
Pin 1: Ground

Pin 2: Pin -

Pin 3: Pin +



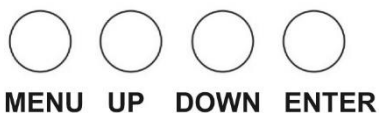
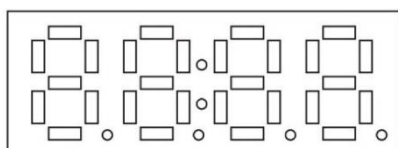
To connect more than one unit in a chain, please, follow this picture. The output of the first unit must provide to the next DMX input of the signal, this way it is possible to send the signal to all the devices in the chain.



ADVANCED USE

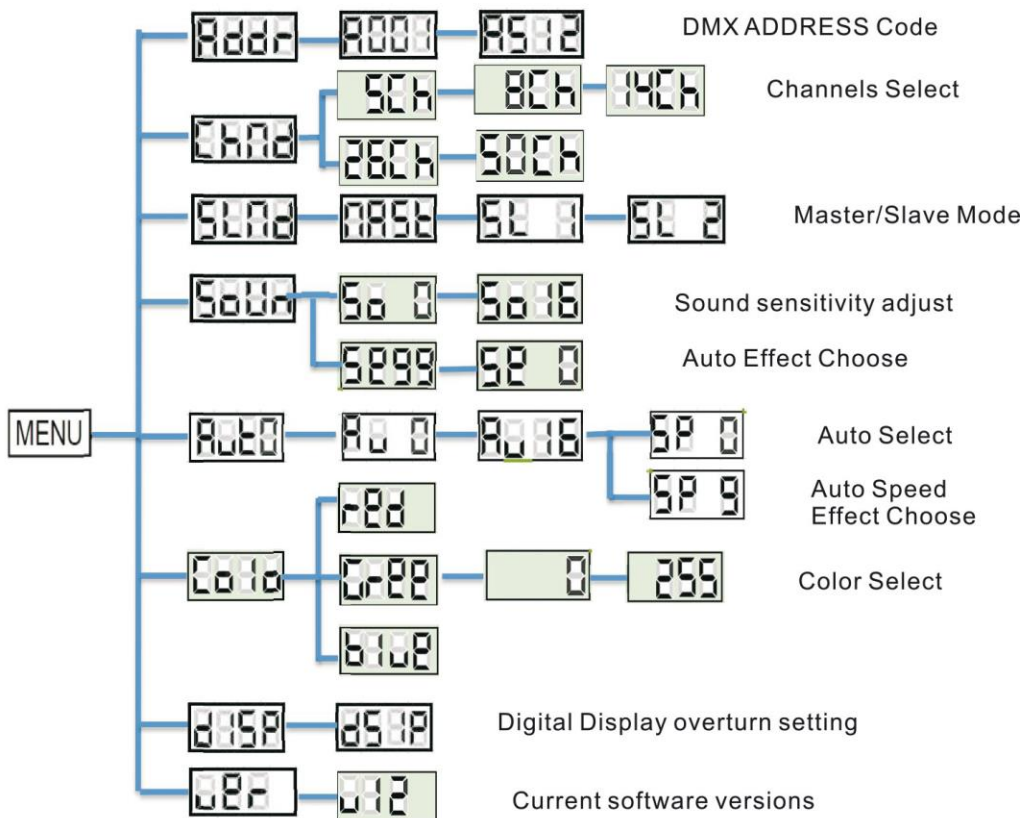
CONTROL PANEL

MBAR RGB 4 72 can be configured in different ways thanks to its panel and selection buttons.



Press the MENU button (once or several times) until you get to the desired function (according to the following chart), and press ENTER to confirm your selection.

Use the UP & DOWN buttons to navigate between each function to select the correct value. (Press ENTER to confirm the setting).



DMX CONTROL MODE

The following tables show the DMX channel functions:

5 channels mode

| No | Function | Description | Value |
|----|-------------|---------------------------------------|---------|
| 1 | R dimming | Red dimming from minimum to maximum | 0 - 255 |
| 2 | G dimming | Green dimming from minimum to maximum | 0 - 255 |
| 3 | B dimming | Blue dimming from minimum to maximum | 0 - 255 |
| 4 | Color chase | * See chase table | 0 - 255 |
| 5 | Chase speed | From slow to fast | 0 - 255 |

8 channels mode

| No | Function | Description | Value |
|----|---------------|---------------------------------------|---------|
| 1 | Master dimmer | General dimmer | 0 - 255 |
| 2 | Strobe | From slow to fast | 0 - 255 |
| 3 | R dimming | Red dimming from minimum to maximum | 0 - 255 |
| 4 | G dimming | Green dimming from minimum to maximum | 0 - 255 |
| 5 | B dimming | Blue dimming from minimum to maximum | 0 - 255 |
| 6 | Auto program | One program with increasing speed | 0 - 255 |
| 7 | Color chase | * See chase table | 0 - 255 |
| 8 | Chase speed | From slow to fast | 0 - 255 |

14 channels mode (2 groups of 12 LEDs)

| No | Function | Description | Value |
|----|-----------------|---------------------------------------|---------|
| 1 | Master dimmer 1 | General dimmer | 0 - 255 |
| 2 | Strobe 1 | From slow to fast | 0 - 255 |
| 3 | R dimming 1 | Red dimming from minimum to maximum | 0 - 255 |
| 4 | G dimming 1 | Green dimming from minimum to maximum | 0 - 255 |
| 5 | B dimming 1 | Blue dimming from minimum to maximum | 0 - 255 |
| 6 | Auto program 1 | One program with increasing speed | 0 - 255 |
| 7 | Master dimmer 2 | General dimmer | 0 - 255 |
| 8 | Strobe 2 | From slow to fast | 0 - 255 |
| 9 | R dimming 2 | Red dimming from minimum to maximum | 0 - 255 |
| 10 | G dimming 2 | Green dimming from minimum to maximum | 0 - 255 |
| 11 | B dimming 2 | Blue dimming from minimum to maximum | 0 - 255 |
| 12 | Auto program 2 | One program with increasing speed | 0 - 255 |
| 13 | Color chase | * See chase table | 0 - 255 |
| 14 | Chase speed | From slow to fast | 0 - 255 |

26 channels mode (4 groups of 6 LEDs)

| No | Function | Description | Value |
|----|-----------------|---------------------------------------|---------|
| 1 | Master dimmer 1 | General dimmer | 0 - 255 |
| 2 | Strobe 1 | From slow to fast | 0 - 255 |
| 3 | R dimming 1 | Red dimming from minimum to maximum | 0 - 255 |
| 4 | G dimming 1 | Green dimming from minimum to maximum | 0 - 255 |
| 5 | B dimming 1 | Blue dimming from minimum to maximum | 0 - 255 |
| 6 | Auto program 1 | One program with increasing speed | 0 - 255 |
| 7 | Master dimmer 2 | General dimmer | 0 - 255 |
| 8 | Strobe 2 | From slow to fast | 0 - 255 |
| 9 | R dimming 2 | Red dimming from minimum to maximum | 0 - 255 |
| 10 | G dimming 2 | Green dimming from minimum to maximum | 0 - 255 |
| 11 | B dimming 2 | Blue dimming from minimum to maximum | 0 - 255 |
| 12 | Auto program 2 | One program with increasing speed | 0 - 255 |
| 13 | Master dimmer 3 | General dimmer | 0 - 255 |
| 14 | Strobe 3 | From slow to fast | 0 - 255 |
| 15 | R dimming 3 | Red dimming from minimum to maximum | 0 - 255 |
| 16 | G dimming 3 | Green dimming from minimum to maximum | 0 - 255 |
| 17 | B dimming 3 | Blue dimming from minimum to maximum | 0 - 255 |
| 18 | Auto program 3 | One program with increasing speed | 0 - 255 |
| 19 | Master dimmer 4 | General dimmer | 0 - 255 |
| 20 | Strobe 4 | From slow to fast | 0 - 255 |
| 21 | R dimming 4 | Red dimming from minimum to maximum | 0 - 255 |
| 22 | G dimming 4 | Green dimming from minimum to maximum | 0 - 255 |
| 23 | B dimming 4 | Blue dimming from minimum to maximum | 0 - 255 |
| 24 | Auto program 4 | One program with increasing speed | 0 - 255 |
| 25 | Color chase | * See chase table | 0 - 255 |
| 26 | Chase speed | From slow to fast | 0 - 255 |

50 channels mode (8 groups of 3 LEDs)

| No | Function | Description | Value |
|----|-----------------|---------------------------------------|---------|
| 1 | Master dimmer 1 | General dimmer | 0 - 255 |
| 2 | Strobe 1 | From slow to fast | 0 - 255 |
| 3 | R dimming 1 | Red dimming from minimum to maximum | 0 - 255 |
| 4 | G dimming 1 | Green dimming from minimum to maximum | 0 - 255 |
| 5 | B dimming 1 | Blue dimming from minimum to maximum | 0 - 255 |
| 6 | Auto program 1 | One program with increasing speed | 0 - 255 |
| 7 | Master dimmer 2 | General dimmer | 0 - 255 |
| 8 | Strobe 2 | From slow to fast | 0 - 255 |
| 9 | R dimming 2 | Red dimming from minimum to maximum | 0 - 255 |
| 10 | G dimming 2 | Green dimming from minimum to maximum | 0 - 255 |
| 11 | B dimming 2 | Blue dimming from minimum to maximum | 0 - 255 |
| 12 | Auto program 2 | One program with increasing speed | 0 - 255 |
| 13 | Master dimmer 3 | General dimmer | 0 - 255 |
| 14 | Strobe 3 | From slow to fast | 0 - 255 |
| 15 | R dimming 3 | Red dimming from minimum to maximum | 0 - 255 |
| 16 | G dimming 3 | Green dimming from minimum to maximum | 0 - 255 |
| 17 | B dimming 3 | Blue dimming from minimum to maximum | 0 - 255 |
| 18 | Auto program 3 | One program with increasing speed | 0 - 255 |
| 19 | Master dimmer 4 | General dimmer | 0 - 255 |
| 20 | Strobe 4 | From slow to fast | 0 - 255 |
| 21 | R dimming 4 | Red dimming from minimum to maximum | 0 - 255 |
| 22 | G dimming 4 | Green dimming from minimum to maximum | 0 - 255 |
| 23 | B dimming 4 | Blue dimming from minimum to maximum | 0 - 255 |
| 24 | Auto program 4 | One program with increasing speed | 0 - 255 |
| 25 | Master dimmer 5 | General dimmer | 0 - 255 |
| 26 | Strobe 5 | From slow to fast | 0 - 255 |
| 27 | R dimming 5 | Red dimming from minimum to maximum | 0 - 255 |
| 28 | G dimming 5 | Green dimming from minimum to maximum | 0 - 255 |
| 29 | B dimming 5 | Blue dimming from minimum to maximum | 0 - 255 |
| 30 | Auto program 5 | One program with increasing speed | 0 - 255 |
| 31 | Master dimmer 6 | General dimmer | 0 - 255 |
| 32 | Strobe 6 | From slow to fast | 0 - 255 |
| 33 | R dimming 6 | Red dimming from minimum to maximum | 0 - 255 |
| 34 | G dimming 6 | Green dimming from minimum to maximum | 0 - 255 |
| 35 | B dimming 6 | Blue dimming from minimum to maximum | 0 - 255 |
| 36 | Auto program 6 | One program with increasing speed | 0 - 255 |
| 37 | Master dimmer 7 | General dimmer | 0 - 255 |
| 38 | Strobe 7 | From slow to fast | 0 - 255 |
| 39 | R dimming 7 | Red dimming from minimum to maximum | 0 - 255 |
| 40 | G dimming 7 | Green dimming from minimum to maximum | 0 - 255 |
| 41 | B dimming 7 | Blue dimming from minimum to maximum | 0 - 255 |
| 42 | Auto program 7 | One program with increasing speed | 0 - 255 |
| 43 | Master dimmer 8 | General dimmer | 0 - 255 |
| 44 | Strobe 8 | From slow to fast | 0 - 255 |
| 45 | R dimming 8 | Red dimming from minimum to maximum | 0 - 255 |
| 46 | G dimming 8 | Green dimming from minimum to maximum | 0 - 255 |
| 47 | B dimming 8 | Blue dimming from minimum to maximum | 0 - 255 |
| 48 | Auto program 8 | One program with increasing speed | 0 - 255 |
| 49 | Color chase | * See chase table | 0 - 255 |
| 50 | Chase speed | From slow to fast | 0 - 255 |

Color Chase Table

| No | Function |
|------------------------|---------------------------|
| Color Chase | 000 – 007 No function |
| | 008 – 022 Colour chase 1 |
| | 023 – 037 Colour chase 2 |
| | 038 – 052 Colour chase 3 |
| | 053 – 067 Colour chase 4 |
| | 068 – 082 Colour chase 5 |
| | 083 – 097 Colour chase 6 |
| | 098 – 112 Colour chase 7 |
| | 113 – 127 Colour chase 8 |
| | 128 – 142 Colour chase 9 |
| | 143 – 157 Colour chase 10 |
| | 158 – 172 Colour chase 11 |
| | 173 – 187 Colour chase 12 |
| | 188 – 202 Colour chase 13 |
| | 203 – 217 Colour chase 14 |
| | 218 – 232 Colour chase 15 |
| | 233 – 247 Colour chase 16 |
| 248 – 255 Sound active | |

CAUTIONS

Prevention of electric shock

The electrical connection must only be carried out by qualified personal. Before installing, make sure you use the same power voltage marked in the **MBAR RGB 4 72** (AC 100-240V/50-60Hz). Each device must be properly grounded and installed in accordance with the relevant standards. Don't use the device in a lightning storm or wet environment.

To prevent burning of fire

1. Never install the device directly on the surface of ordinary combustible material.
2. The equipment must be installed away from inflammable and explosive materials.
3. Keep at last 0,5 m around the unit for ventilation purposes.
4. Do not place any object on the lens.
5. Do not replace with non-original spare parts. Contact your **MARK PRO** dealer.

Unpacking

Note: Before unpacking, check it for possible damage that might have occurred during transportation. If you find any damage, please do not use the unit and contact the **MARK PRO** dealer.

TROUBLESHOOTING

This short guide is meant to help and try to solve simple problems. If they continue and the device cannot operate, please, don't try to repair it by yourself, return the device to your **MARK PRO** dealer.

If a problem occurs, carry out the following steps in sequence until find the problem solved. If the light effect does not operate properly, refer servicing to a technician.

No Light:

Response: Suspect two potential problem areas: the power supply or the LEDs.

- 1- Power supply. Check that the unit is plugged into an appropriate power supply.
- 2- Check if the fuse is not blown. If yes, change it with one that keeps the same technical features. If the fuse blows again, please, don't change it, contact the **MARK PRO** technical service.
- 3- If all the above appears to be OK, plug the unit in again.
- 4- If you are unable to determine the cause of the problem, do not open the device, as this may damage the unit and the warranty will become void.
- 5- Return the device to your **MARK PRO** dealer.

No DMX:

Response: Suspect the DMX cable or connector, a controller wrong function, a previous light effect DMX in the chain.

- 1- Check the DMX settings. Make sure that DMX addresses are correct.
- 2- Check the DMX cable: Unplug the unit; change the DMX cable; then reconnect to electrical power. Try to use your DMX controller again.
- 3- Determine whether the controller or light effect is at fault. Does the controller operate properly with other DMX products? If not, take the unit to a qualified technician.

INDICACIONES DE SEGURIDAD

1. Lea detenidamente las siguientes instrucciones y preste atención a éstas.
2. Guarde en un lugar seco y seguro este manual.
3. Siga una a una todas las instrucciones.
4. Respete las instrucciones de seguridad de su país cuando instale este dispositivo.
5. No use este dispositivo cerca del agua o zonas altamente húmedas. A la hora de limpiarlo, utilice un paño seco.
6. No instale el dispositivo cerca de ninguna fuente de calor o fuego tales como calefactores, estufas o incluso amplificadores que produzcan calor. Asegúrese de que, una vez instalado el dispositivo, esté en un lugar fresco y seco.
7. No obstruya ninguna de las salidas. Cuando instale el dispositivo hágalo tal y como lo indican estas instrucciones.
8. Proteja el cable de alimentación para no ser pisado o manipulado, particularmente en los conectores (mural y de entrada a la unidad).
9. Utilice únicamente accesorios especificados por **MARK PRO**.
10. Desconecte el dispositivo si no va a ser utilizado durante largos periodos de tiempo.
11. El dispositivo será reparado por el servicio técnico oficial cuando esté dañado, el cable este deteriorado o el conector estropeado, así como si el dispositivo ha entrado en contacto con líquidos o no opera correctamente.
12. Para desconectar totalmente la unidad de la red eléctrica principal desconecte el cable de la toma mural eléctrica.
13. El conector principal debe poder conectarse y desconectarse de la red eléctrica de manera fácil.
14. **ATENCIÓN.** Para reducir el riesgo de fuego o shock eléctrico, no exponga este dispositivo bajo la lluvia o la humedad.
15. No exponga este equipo a líquidos, ni salpicaduras, así como su ubicación cerca de recipientes o posibles fuentes con líquidos.
16. Si la unidad va a ser volada en un truss, por favor, siga las recomendaciones incluidas en este manual de usuario

VISTA GENERAL

MBAR RGB 4 72 es una barra de iluminación que incluye 24 LEDs RGB (3 en 1) de 3W cada uno. Estos brillantes LEDs permiten obtener un rico espectro de colores mezclando los colores rojo, verde y azul.

La interfaz de configuración tiene una pantalla con toda la información y botones para navegar por los menús, seleccionando parámetros tales como: nivel manual de cada color, efecto estrobo o efectos internos.

El dispositivo incluye varios modos DMX (5, 8, 14, 26 y 50 canales) con dimmerización de color individual, efectos incorporados y función estrobo.

Datos Técnicos:

| | |
|------------------------|---|
| Alimentación | AC 100-240 V 50/60 Hz |
| Fuente lumínica | 24x LEDs RGBW 2W cada uno (3 en 1). |
| Dimmer | 0-100 ajuste lineal |
| Canales DMX | 5, 8, 14, 26 y 50 canales |
| Modos | DMX 512 /Auto/Manual/Audio/Master-Slave |
| Conexiones de entrada | 3 pin XLR |
| Conexiones de salida | 3 pin XLR |
| Dimensiones (AnxAlxPr) | 1050 x 60 x 60 mm |
| Peso | 2.75 Kg |

Características:

- Proyector de iluminación que incluye 2x LEDs RGB (3 en 1) de 3W cada uno.
- Pantalla e interfaz para funciones de ajuste.
- Función strobo.
- Dos alas de fijación.

INSTALACIÓN

Este producto sólo es adecuado para uso profesional. Este dispositivo debe mantenerse seco para evitar la humedad, el sobrecalentamiento o el ambiente polvoriento. Asegúrese que la unidad no entre en contacto con agua o cualquier otro líquido.

MBAR RGB 4 72 se puede colocar en una superficie plana y estable o en un soporte, pero el modo de funcionamiento común es el rigging en un sistema truss. Por favor, compruebe y siga las siguientes recomendaciones para un uso seguro de este dispositivo:

- El sistema de truss debe ser construido de tal manera que pueda soportar 10 veces el peso de todos los elementos de rigging durante 1 hora sin causar deformación.
- El sistema de fijación (abrazaderas o garras) debe ser capaz de soportar hasta 10 veces el peso del dispositivo.
- El dispositivo debe asegurarse siempre con un accesorio de seguridad, p. e. un cable de acero.
- El operador debe comprobar que la instalación cumple con las normas de seguridad y la instalación del dispositivo es aprobada por un experto en la materia.

Conexión DMX

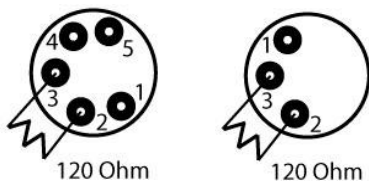
Para el conexionado DMX debe utilizar el cable de par trenzado blindado profesional. El cable de altavoz estándar no es fiable para controlar los datos a grandes distancias. El cable 24AWG es adecuado para distancias de hasta 300m, a partir de esta distancia se debe utilizar un amplificador de señal DMX.

No sobrecargue la conexión. Una conexión continua sólo puede soportar hasta **30 dispositivos**. En todo caso se recomienda la utilización de un splitter DMX para distribuir la señal sin pérdida de integridad.

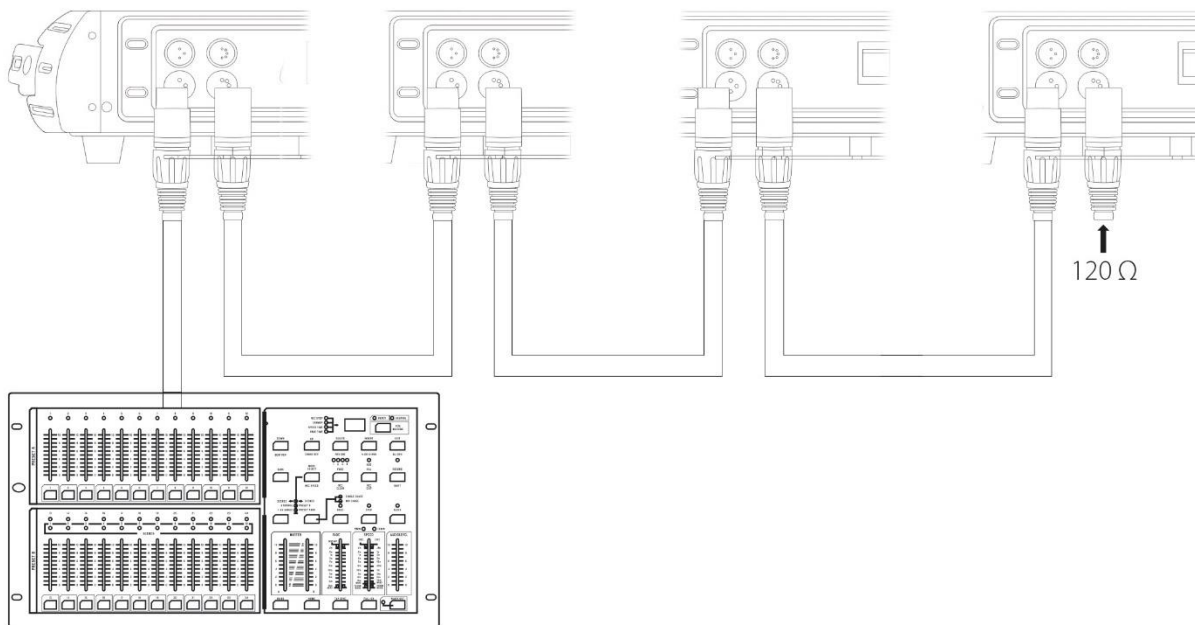
Conecte el terminal de entrada DMX512 al controlador. Después, conecte el terminal de salida al siguiente dispositivo. Repita el paso anterior para conectar otro dispositivo y así sucesivamente. Para evitar errores en el sistema, el último dispositivo de una cadena DMX debe estar equipado con una resistencia de terminación (120 Ohmios, 1/4 W).

Ocupación de los pines

Pin 1: Masa
Pin 2: Pin -
Pin 3: Pin +



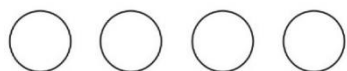
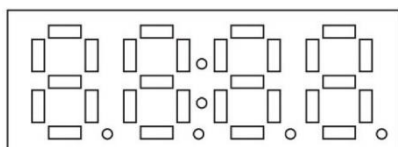
Para conectar más de una unidad, siga el siguiente esquema. La salida de la primera unidad se conecta a la entrada de la siguiente y así sucesivamente, de esta manera es posible enviar la señal a todos los dispositivos de la cadena.



USO AVANZADO

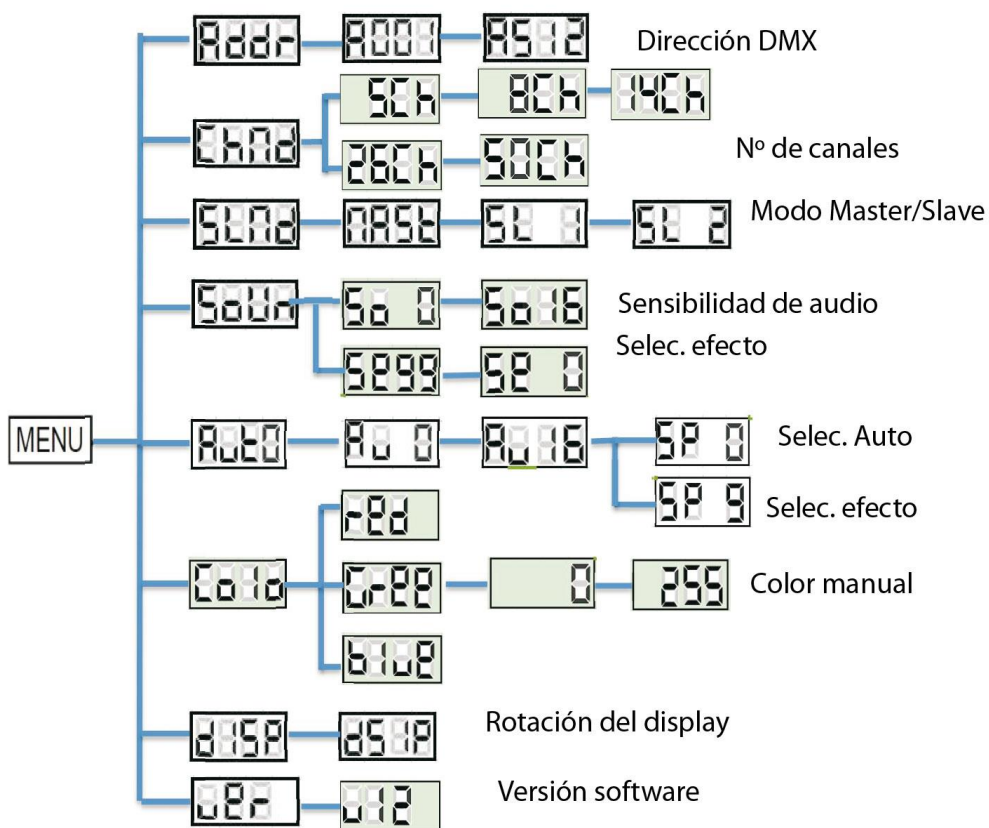
PANEL DE CONTROL

MBAR RGB 4 72 permite ser configurado de diferentes maneras, gracias a su panel y botones de selección.



MENU UP DOWN ENTER

Presione el botón MENU (una o varias veces) hasta llegar a la función deseada (según el siguiente cuadro), y presione ENTER para confirmar su selección. Utilice los botones UP y DOWN para navegar entre cada función para seleccionar el valor correcto. (Pulse ENTER para confirmar la configuración).



MODO DE CONTROL DMX

Las siguientes tablas muestra las funciones de los canales DMX:

Modo 5 canales

| No | Función | Descripción | Valor |
|----|-----------------|---------------------------------|---------|
| 1 | Dimmer R | Dimmer rojo de mínimo a máximo | 0 - 255 |
| 2 | Dimmer G | Dimmer verde de mínimo a máximo | 0 - 255 |
| 3 | Dimmer B | Dimmer azul de mínimo a máximo | 0 - 255 |
| 4 | Color chase | * Ver tabla Chases | 0 - 255 |
| 5 | Velocidad Chase | De lento a rápido | 0 - 255 |

Modo 8 canales

| No | Función | Descripción | Valor |
|----|-----------------|---|---------|
| 1 | Master dimmer | Dimmer general | 0 - 255 |
| 2 | Strobo | De lento a rápido | 0 - 255 |
| 3 | Dimmer R | Dimmer rojo de mínimo a máximo | 0 - 255 |
| 4 | Dimmer G | Dimmer verde de mínimo a máximo | 0 - 255 |
| 5 | Dimmer B | Dimmer azul de mínimo a máximo | 0 - 255 |
| 6 | Auto program | Un programa con incremento de velocidad | 0 - 255 |
| 7 | Color chase | * Ver tabla Chases | 0 - 255 |
| 8 | Velocidad Chase | De lento a rápido | 0 - 255 |

Modo 14 canales (2 grupos 12 LEDs)

| No | Función | Descripción | Valor |
|----|-----------------|---|---------|
| 1 | Master dimmer 1 | Dimmer general | 0 - 255 |
| 2 | Strobo 1 | De lento a rápido | 0 - 255 |
| 3 | Dimmer R 1 | Dimmer rojo de mínimo a máximo | 0 - 255 |
| 4 | Dimmer G 1 | Dimmer verde de mínimo a máximo | 0 - 255 |
| 5 | Dimmer B 1 | Dimmer azul de mínimo a máximo | 0 - 255 |
| 6 | Auto program 1 | Un programa con incremento de velocidad | 0 - 255 |
| 7 | Master dimmer 2 | Dimmer general | 0 - 255 |
| 8 | Strobo 2 | De lento a rápido | 0 - 255 |
| 9 | Dimmer R 2 | Dimmer rojo de mínimo a máximo | 0 - 255 |
| 10 | Dimmer G 2 | Dimmer verde de mínimo a máximo | 0 - 255 |
| 11 | Dimmer B 2 | Dimmer azul de mínimo a máximo | 0 - 255 |
| 12 | Auto program 2 | Un programa con incremento de velocidad | 0 - 255 |
| 13 | Color chase | * Ver tabla Chases | 0 - 255 |
| 14 | Velocidad Chase | De lento a rápido | 0 - 255 |

Modo 26 canales (4 grupos de 6 LEDs)

| No | Función | Descripción | Valor |
|----|-----------------|---|---------|
| 1 | Master dimmer 1 | Dimmer general | 0 - 255 |
| 2 | Strobo 1 | De lento a rápido | 0 - 255 |
| 3 | Dimmer R 1 | Dimmer rojo de mínimo a máximo | 0 - 255 |
| 4 | Dimmer G 1 | Dimmer verde de mínimo a máximo | 0 - 255 |
| 5 | Dimmer B 1 | Dimmer azul de mínimo a máximo | 0 - 255 |
| 6 | Auto program 1 | Un programa con incremento de velocidad | 0 - 255 |
| 7 | Master dimmer 2 | Dimmer general | 0 - 255 |
| 8 | Strobo 2 | De lento a rápido | 0 - 255 |
| 9 | Dimmer R 2 | Dimmer rojo de mínimo a máximo | 0 - 255 |
| 10 | Dimmer G 2 | Dimmer verde de mínimo a máximo | 0 - 255 |
| 11 | Dimmer B 2 | Dimmer azul de mínimo a máximo | 0 - 255 |
| 12 | Auto program 2 | Un programa con incremento de velocidad | 0 - 255 |
| 13 | Master dimmer 3 | Dimmer general | 0 - 255 |
| 14 | Strobo 3 | De lento a rápido | 0 - 255 |
| 15 | Dimmer R 3 | Dimmer rojo de mínimo a máximo | 0 - 255 |
| 16 | Dimmer G 3 | Dimmer verde de mínimo a máximo | 0 - 255 |
| 17 | Dimmer B 3 | Dimmer azul de mínimo a máximo | 0 - 255 |
| 18 | Auto program 3 | Un programa con incremento de velocidad | 0 - 255 |
| 19 | Master dimmer 4 | Dimmer general | 0 - 255 |
| 20 | Strobo 4 | De lento a rápido | 0 - 255 |
| 21 | Dimmer R 4 | Dimmer rojo de mínimo a máximo | 0 - 255 |
| 22 | Dimmer G 4 | Dimmer verde de mínimo a máximo | 0 - 255 |
| 23 | Dimmer B 4 | Dimmer azul de mínimo a máximo | 0 - 255 |
| 24 | Auto program 4 | Un programa con incremento de velocidad | 0 - 255 |
| 25 | Color chase | * Ver tabla Chases | 0 - 255 |
| 26 | Velocidad Chase | De lento a rápido | 0 - 255 |

Modo 50 canales (8 grupos de 3 LEDs)

| No | Función | Descripción | Valor |
|----|-----------------|---|---------|
| 1 | Master dimmer 1 | Dimmer general | 0 - 255 |
| 2 | Strobo 1 | De lento a rápido | 0 - 255 |
| 3 | Dimmer R 1 | Dimmer rojo de mínimo a máximo | 0 - 255 |
| 4 | Dimmer G 1 | Dimmer verde de mínimo a máximo | 0 - 255 |
| 5 | Dimmer B 1 | Dimmer azul de mínimo a máximo | 0 - 255 |
| 6 | Auto program 1 | Un programa con incremento de velocidad | 0 - 255 |
| 7 | Master dimmer 2 | Dimmer general | 0 - 255 |
| 8 | Strobo 2 | De lento a rápido | 0 - 255 |
| 9 | Dimmer R 2 | Dimmer rojo de mínimo a máximo | 0 - 255 |
| 10 | Dimmer G 2 | Dimmer verde de mínimo a máximo | 0 - 255 |
| 11 | Dimmer B 2 | Dimmer azul de mínimo a máximo | 0 - 255 |
| 12 | Auto program 2 | Un programa con incremento de velocidad | 0 - 255 |
| 13 | Master dimmer 3 | Dimmer general | 0 - 255 |
| 14 | Strobo 3 | De lento a rápido | 0 - 255 |
| 15 | Dimmer R 3 | Dimmer rojo de mínimo a máximo | 0 - 255 |
| 16 | Dimmer G 3 | Dimmer verde de mínimo a máximo | 0 - 255 |
| 17 | Dimmer B 3 | Dimmer azul de mínimo a máximo | 0 - 255 |
| 18 | Auto program 3 | Un programa con incremento de velocidad | 0 - 255 |
| 19 | Master dimmer 4 | Dimmer general | 0 - 255 |
| 20 | Strobo 4 | De lento a rápido | 0 - 255 |
| 21 | Dimmer R 4 | Dimmer rojo de mínimo a máximo | 0 - 255 |
| 22 | Dimmer G 4 | Dimmer verde de mínimo a máximo | 0 - 255 |
| 23 | Dimmer B 4 | Dimmer azul de mínimo a máximo | 0 - 255 |
| 24 | Auto program 4 | Un programa con incremento de velocidad | 0 - 255 |
| 25 | Master dimmer 5 | Dimmer general | 0 - 255 |
| 26 | Strobo 5 | De lento a rápido | 0 - 255 |
| 27 | Dimmer R 5 | Dimmer rojo de mínimo a máximo | 0 - 255 |
| 28 | Dimmer G 5 | Dimmer verde de mínimo a máximo | 0 - 255 |
| 29 | Dimmer B 5 | Dimmer azul de mínimo a máximo | 0 - 255 |
| 30 | Auto program 5 | Un programa con incremento de velocidad | 0 - 255 |
| 31 | Master dimmer 6 | Dimmer general | 0 - 255 |
| 32 | Strobo 6 | De lento a rápido | 0 - 255 |
| 33 | Dimmer R 6 | Dimmer rojo de mínimo a máximo | 0 - 255 |
| 34 | Dimmer G 6 | Dimmer verde de mínimo a máximo | 0 - 255 |
| 35 | Dimmer B 6 | Dimmer azul de mínimo a máximo | 0 - 255 |
| 36 | Auto program 6 | Un programa con incremento de velocidad | 0 - 255 |
| 37 | Master dimmer 7 | Dimmer general | 0 - 255 |
| 38 | Strobo 7 | De lento a rápido | 0 - 255 |
| 39 | Dimmer R 7 | Dimmer rojo de mínimo a máximo | 0 - 255 |
| 40 | Dimmer G 7 | Dimmer verde de mínimo a máximo | 0 - 255 |
| 41 | Dimmer B 7 | Dimmer azul de mínimo a máximo | 0 - 255 |
| 42 | Auto program 7 | Un programa con incremento de velocidad | 0 - 255 |
| 43 | Master dimmer 8 | Dimmer general | 0 - 255 |
| 44 | Strobo 8 | De lento a rápido | 0 - 255 |
| 45 | Dimmer R 8 | Dimmer rojo de mínimo a máximo | 0 - 255 |
| 46 | Dimmer G 8 | Dimmer verde de mínimo a máximo | 0 - 255 |
| 47 | Dimmer B 8 | Dimmer azul de mínimo a máximo | 0 - 255 |
| 48 | Auto program 8 | Un programa con incremento de velocidad | 0 - 255 |
| 49 | Color chase | * Ver tabla Chases | 0 - 255 |
| 50 | Velocidad Chase | De lento a rápido | 0 - 255 |

Tabla Chases de color

| No | Función |
|--------------------------------|-----------------------------|
| Chase de color | 000 – 007 Sin función |
| | 008 – 022 Chase de color 1 |
| | 023 – 037 Chase de color 2 |
| | 038 – 052 Chase de color 3 |
| | 053 – 067 Chase de color 4 |
| | 068 – 082 Chase de color 5 |
| | 083 – 097 Chase de color 6 |
| | 098 – 112 Chase de color 7 |
| | 113 – 127 Chase de color 8 |
| | 128 – 142 Chase de color 9 |
| | 143 – 157 Chase de color 10 |
| | 158 – 172 Chase de color 11 |
| | 173 – 187 Chase de color 12 |
| | 188 – 202 Chase de color 13 |
| | 203 – 217 Chase de color 14 |
| | 218 – 232 Chase de color 15 |
| 233 – 247 Chase de color 16 | |
| 248 – 255 Activación por audio | |

PRECAUCIONES

Prevención frente a shock eléctrico

La conexión eléctrica al dispositivo debe ser realizada por personal cualificado. Antes de instalar, asegúrese de conectarla a una red eléctrica que trabaje bajo los mismos parámetros que **MBAR RGB 4 72** (AC 100-240V/50-60Hz). Cada dispositivo debe ser adecuadamente conectado a una toma de tierra de acuerdo con las normas establecidas. No use la unidad durante una tormenta eléctrica.

Prevención frente incendios

1. Nunca instale el dispositivo cerca de una fuente de combustión.
2. El equipo debe instalarse lejos de materiales inflamables y explosivos.
3. Deje al menos 0,5 m alrededor de la unidad para su ventilación.
4. No cubra la lente.
5. Si cambia alguna de las partes del dispositivo hágalo siempre con repuestos originales. Para ello contacte a su proveedor **MARK PRO**.

Desempaquetado

Nota: Antes de desembalar compruebe si ha habido daños y se han debido al transporte o no. Si encuentra algún daño, no utilice este dispositivo y póngase en contacto con el distribuidor de **MARK PRO**.

POSIBLES PROBLEMAS Y SOLUCIÓN

Esta guía pretende ayudar a resolver problemas simples y comunes que pueden aparecer en el uso del dispositivo. Si los problemas persisten, no intente abrir y reparar la unidad por sí solo, contacte con su distribuidor más cercano y devuélvalo para su reparación.

Si el dispositivo tiene un problema, siga los siguientes puntos hasta que lo encuentre y pueda solucionarlo. Si la iluminación no funciona correctamente, envíe el dispositivo al servicio técnico **MARK PRO**.

Si el dispositivo no enciende:

Posibles problemas: Fuente de alimentación.

- 1- Fuente de alimentación: Asegúrese de que la unidad esté correctamente conectada.
- 2- Compruebe que el fusible no está dañado. En caso de estarlo, reemplácelo por otro de las mismas características. Si una vez reemplazado vuelve a fundirse y la unidad sigue sin funcionar, contacte con el servicio técnico de **MARK PRO**.
- 3- Si todo lo anterior es correcto, puede conectar la unidad a la red eléctrica.
- 4- Si usted no puede determinar la causa de los problemas que presenta la unidad, no la desmonte o intente reparar por sí mismo ya que perderá la garantía.
- 5- Devuelva la unidad a servicio técnico de **MARK PRO**.

Si no responde el protocolo DMX:

Posibles problemas: Verifique que el cable de conexión DMX está correctamente insertado en el dispositivo, verifique que el propio cable no está defectuoso o que el controlador funciona correctamente.

- 1- Verifique las características DMX y que la dirección asignada es correcta.
- 2- Verifique el cable DMX: Desinstale la unidad, cambie el cable DMX y vuelva a conectar el dispositivo a la red eléctrica. Verifique de nuevo el control DMX.
- 3- Determine si el control está defectuoso. ¿El dispositivo opera correctamente con otras unidades DMX? Si no es así, lleve la unidad a ser reparada al servicio técnico oficial o a un técnico cualificado.



MARK[®]

Av. Saler nº14 Poligono. Ind. L'Alteró. Silla 46460 VALENCIA-SPAIN

Tel: +34 961216301

www.equipson.es